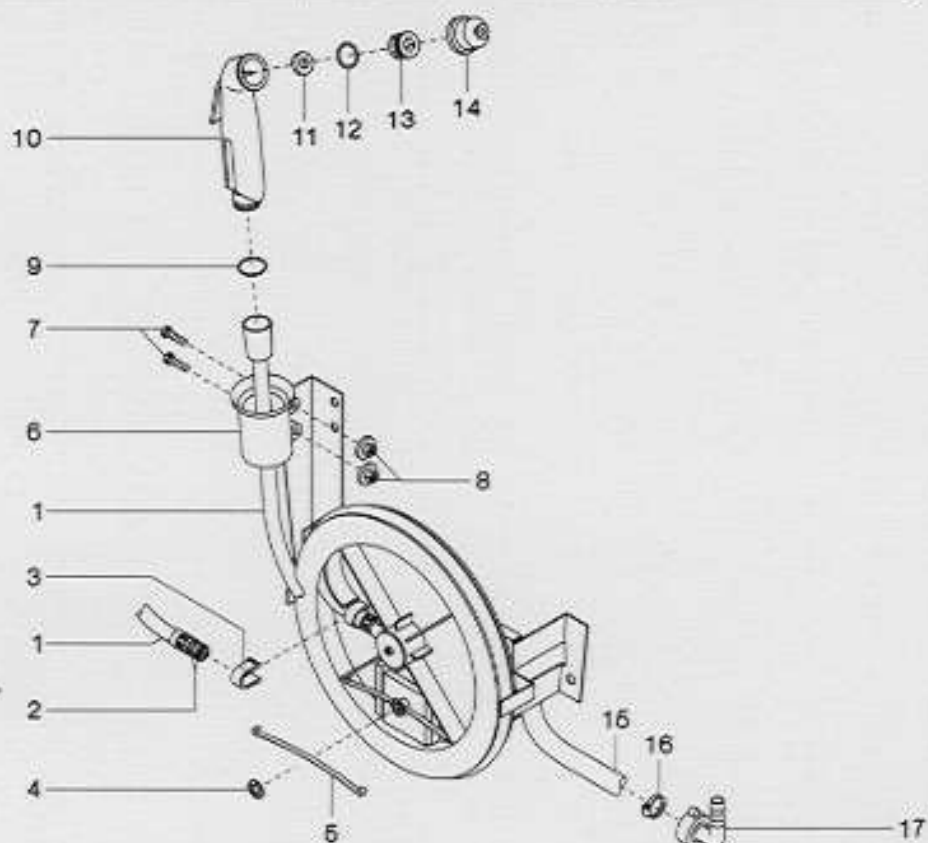
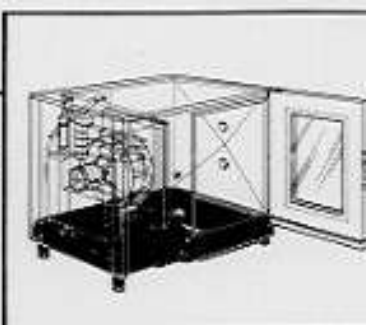


Bottom (Hand Shower)

Voltage	Group	Page	Edition	Application from Serial. No.
3 N AC 380V 50Hz	10	10.2	10.2.3	10193011001

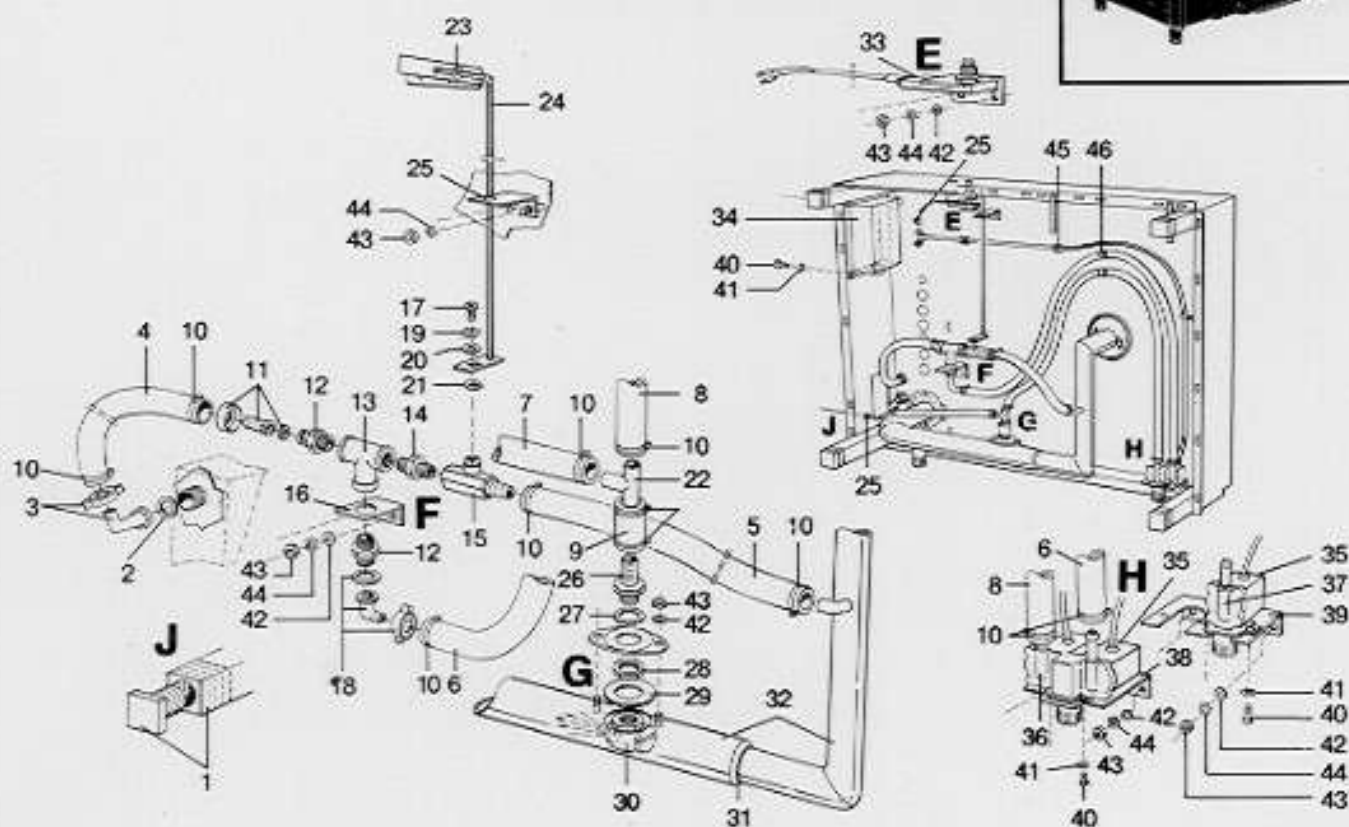


Pos.	Pcs.	Sp.	Part No.	Description	Sign.
-	1		8410.1013	hand shower roll guide cpl.	
1	1		2067.0605	shower hose	
2	2		2060.0228	gasket for shower hose	
3	1		2060.0152	climp for shower hose	
4	1		2001.0203	lock washer	
5	1		2001.0202	fastening spring	
6	1		2060.0121	tulip	
7	2		1008.0751	hex screw M5x25	
8	2		1105.0122	hex-combi-nut M5	
9	1		5012.0536	gasket for shower hose	
10	1		2060.0100	hand shower cpl. (incl. pos. 11,12,13,14)	
11	1		2060.0218	gasket	
12	1		2060.0217	O-ring	
13	1		2060.0216	head screw	
14	1		2060.0215	mouthpiece	
15	1		2067.0060	pressure hose 900mm long	
16	2		2066.0205	hose clamp 12-18mm	
17	1		2062.0203	threaded pipe angle G3/4"	



Bottom (Lower elevation)

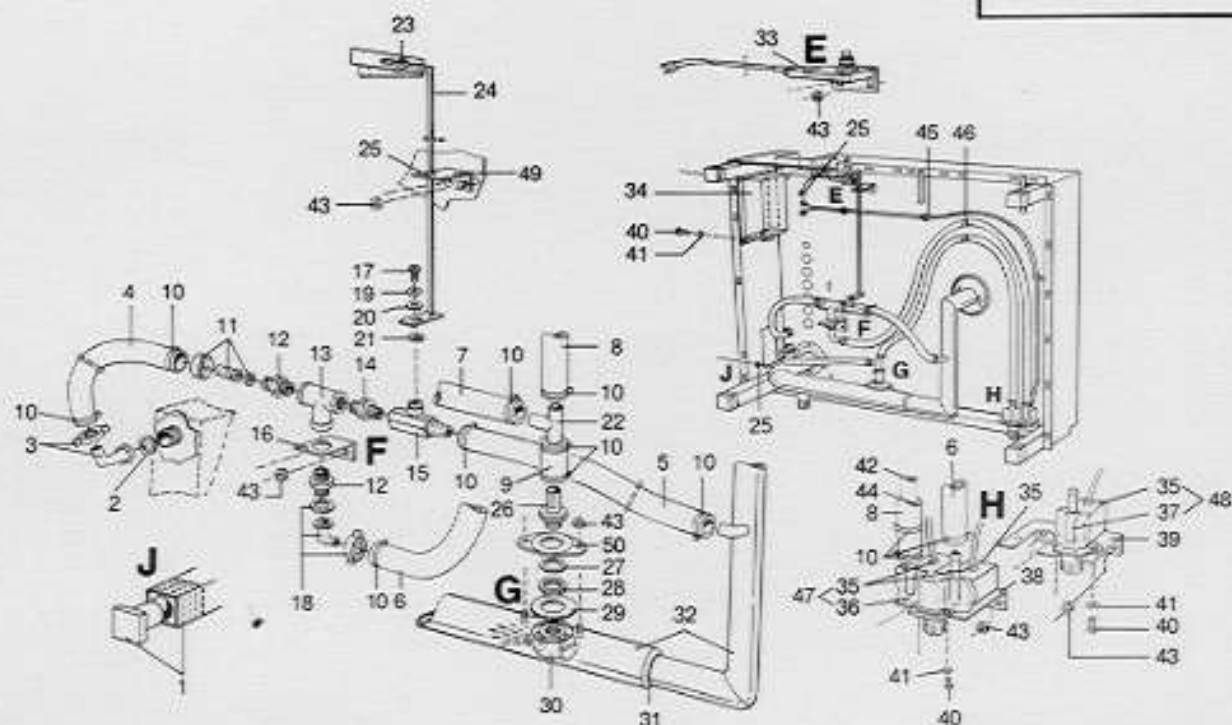
Component Group	Page	Edition	applicable from Serial No.
10	10.1	10.1.1	10186 06 1757



Pos.	Pcs.	Sp.	Part No.	Description	Sign	Pos.	Pcs.	Sp.	Part No.	Description	Sign
1	4		2039.0100	foot adjustable		31	1		2070.0013	gasket element	
2	1		5012.0529	sealing ring for elbow fitting		32	1		2070.0011	drain system complete	
3	1		2062.0200	elbow fitting G 3/4"		33	1		3016.1400	door switch	
4	1		2067.0301	pressure hose 150 mm long		34	1		3038.0200	terminal box	
5	1		2067.0302	pressure hose 290 mm long		35	2		3002.0324	coil for solenoid valve	
6	1		2067.0105	pressure hose 1000 mm long		36	1		3002.0314	body for double solenoid valve	
7	1		2067.0102	pressure hose 430 mm long		37	2		3002.0301	body for 2 single solenoid valves (option)	
8	1		2067.0104	pressure hose 760 mm long		38	1		2580.720384	holder for double solenoid valve	
9	1		2067.0101	pressure hose 90 mm long		39	1		2580.910401	holder for 2 single solenoid valves (option)	
10	6		2066.0202	hose clamp 12 - 22 mm		40	4		1004.0660	hex socket head cap screw M 4x10	
11	1		2062.0202	fitting/hose nipple G 3/4"		41	4		1204.0120	toothed lock washer A 4,3	
12	2		1500.1579	nipple G 1/2" x G 3/4"		42	8		1306.0221	washer A 6,4	
13	1		2036.0501	T-fitting 1/2"		43	8		1106.0160	hex nut M6	
14	1		2062.0103	double nipple 1/2"		44	8		1206.0120	toothed lock washer A 6,4	
15	1		2062.0100	ball valve		45	3		4006.0201	cable clamp	
16	1		2580.730385	holder for T-fitting		46	2		4006.0203	cable clamp	
17	1		1006.0300	slotted raised countersunk head screw							
18	1		2062.0203	elbow fitting 3/4"							
19	1		1205.0120	toothed lock washer A 5,3							
20	1		1305.0260	washer A 5,3							
21	1		1308.0560	washer							
22	1		2062.0302	T-fitting							
23	1		4006.0202	cable clamp							
24	1		8410.0100	lever for drain valve							
25	4		2022.0101	grommet							
26	1		2062.0102	hose fitting G 3/8"							
27	1		5012.0532	gasket							
28	1		2040.0101	hex nut G 3/8"							
29	1		2070.0020	gasket							
30	1		2016.0900	quench nozzle							

Bottom (Lower elevation)

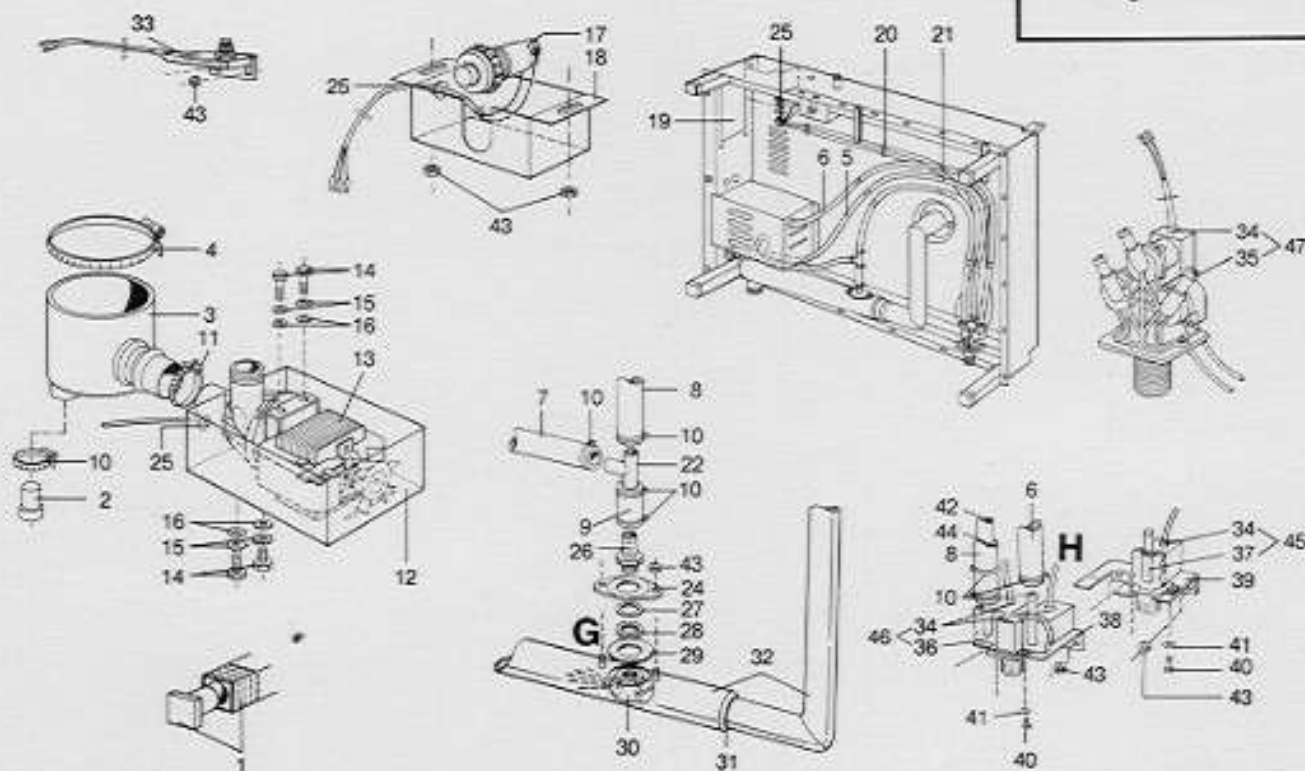
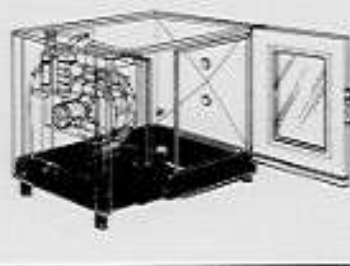
Component Group	Page	Edition	applicable from Serial No.
10	10.1	10.1.2	101 89 04 1228



Pos.	Pcs.	Sp. Part No.	Description	Sign	Pos.	Pcs.	Sp. Part No.	Description	Sign
1	4	2039.0100	foot adjustable		26	1	2062.0102	hose fitting G 3/8"	
2	1	5012.0529	sealing ring for elbow fitting		27	1	5012.0532	gasket	
3	1	2062.0200	elbow fitting G 3/4"		28	1	2580.600594	washer	
4	1	2067.0301	pressure hose 150 mm long		29	1	2070.0020	gasket	
5	1	2067.0302	pressure hose 290 mm long		30	1	2016.0900	quench nozzle	
6	1	2067.0105	pressure hose 1000 mm long		31	1	2070.0013	gasket element	
7	1	2067.0102	pressure hose 430 mm long		32	1	2070.0011	drain system complete	
8	1	2067.0104	pressure hose 760 mm long		33	1	3016.1400	door contact switch	
9	1	2067.0101	pressure hose 90 mm long		34	1	3038.0200	terminal box	
10	7	2066.0202	hose clamp 12 - 22 mm		35	2	3002.0324	coil for solenoid valve	
11	1	2062.0202	fitting G 3/4"		36	1	3002.0314	body for double solenoid valve	
12	2	1500.1579	nipple G 1/2" x G 3/4"		37	2	3002.0301	body for 2 single solenoid valves (option)	
13	1	2036.0501	T-fitting 1/2"		38	1	2580.720384	holder for double solenoid valve	
14	1	2062.0103	double nipple 1/2"		39	1	2580.910401	holder for 2 single solenoid valves (option)	
15	1	2062.0100	ball valve		40	4	1004.0660	hex socket head cap screw M 4x10	
16	1	2580.730385	holder for T-fitting		41	4	1204.0120	toothed lock washer A4,3	
17	1	1006.0300	slotted raised countersunk head screw		42	1	1900.0101	flow regulator (green)	
18	1	2062.0203	elbow fitting 3/4"		43	10	1106.0801	hex combi nut M6	
19	1	1205.0120	toothed lock washer A5,3		44	1	2016.0867	socket for flow regulator	
20	1	1305.0260	washer A5,3		45	3	4006.0201	cable clamp	
21	1	1308.0560	washer		46	2	4006.0203	cable clamp	
22	1	2062.0302	T-fitting		47	1	3002.0304	double solenoid valve complete	
23	1	4006.0202	cable clamp		48	2	3002.0305	single solenoid valve complete	
24	1	8410.0100	lever for ball valve		49	1	2580.740386	holding strap for lever for ball valve	
25	4	2022.0101	grommet		50	1	2070.0021	cover for quench nozzle	
					-	1	8612.0102	quench nozzle complete (pos. 26,27,50,28,29,30)	

Bottom (Lower elevation)

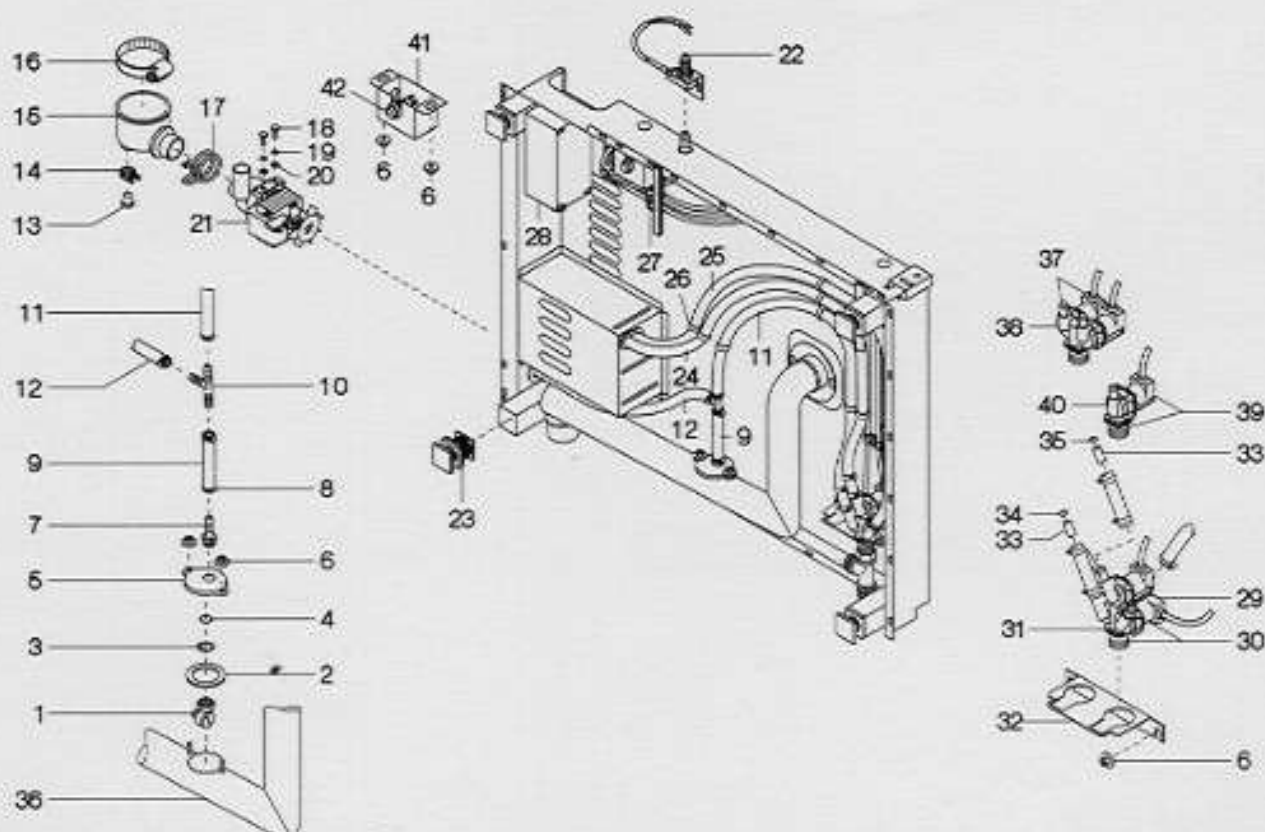
Component Group	Page	Edition	applicable from Serial No.
10	10.1	10.1.3	101 8910 4001



Pos.	Pcs.	Sp.	Part No.	Description	Sign	Pos.	Pcs.	Sp.	Part No.	Description	Sign
1	4		2039.0100	foot adjustable		28	1		2580.600594	washer	
2	1		2016.0873	stopper for pump connection		29	1		2070.0020	gasket	
3	1		2022.0110	pump connection		30	1		2016.0900	quench nozzle	
4	1		2066.0505	hose clamp 70 - 90 mm		31	1		2070.0013	gasket element	
5	1		2067.0133	pressure hose 1900 mm long		32	1		2070.0026	drain system complete	
6	1		2067.0124	pressure hose 1300 mm long		33	1		3016.1400	door contact switch	
7	1		2067.0131	pressure hose 900 mm long		34	3		3002.0324	coil for solenoid valve	
8	1		2067.0119	pressure hose 630 mm long		35	1		3002.0315	body for triple solenoid valve	
9	1		2067.0126	pressure hose 100 mm long		36	1		3002.0314	body for double solenoid valve (option)	
10	8		2066.0202	hose clamp 12 - 22 mm		37	1		3002.0301	body for single solenoid valves (option)	
11	1		2066.0506	hose clamp		38	1		2580.720384	holder for triple solenoid valve	
12	1		2510.690995	cover for discharging pump		39	1		2580.910401	holder for 1 single solenoid valve and 1 double solenoid valve (option)	
13	1		3002.1000	discharging pump		40	5		1004.0660	hex socket head cap screw M 4x10	
14	4		1006.1960	socket countersunk head screw M 6x16		41	5		1204.0120	toothed lock washer A4,3	
15	4		1206.0120	toothed lock washer A6,4		42	1		1900.0101	flow regulator (green)	
16	4		1306.0120	washer A6,4		43	8		1106.0801	hex-combi-nut M6	
17	1		3016.1352	pushbutton		44	1		2016.0867	socket for flow regulator	
18	1		2581.020843	holder for pushbutton		45	1		3002.0305	single solenoid valves complete	
19	1		3028.0200	terminal box		46	1		3002.0304	double solenoid valve complete	
20	9		4006.0201	cable clamp		47	1		3002.0311	triple solenoid valve complete	
21	9		4006.0203	cable clamp		-	1		8612.0102	quench nozzle complete (pos. 26,27,50,28,29,30)	
22	1		2062.0302	T-fitting							
24	1		2070.0021	cover for quench nozzle							
25	2		2022.0101	grommet							
26	1		2062.0102	hose fitting G 3/8"							
27	1		5012.0532	gasket							

Bottom (Lower elevation)

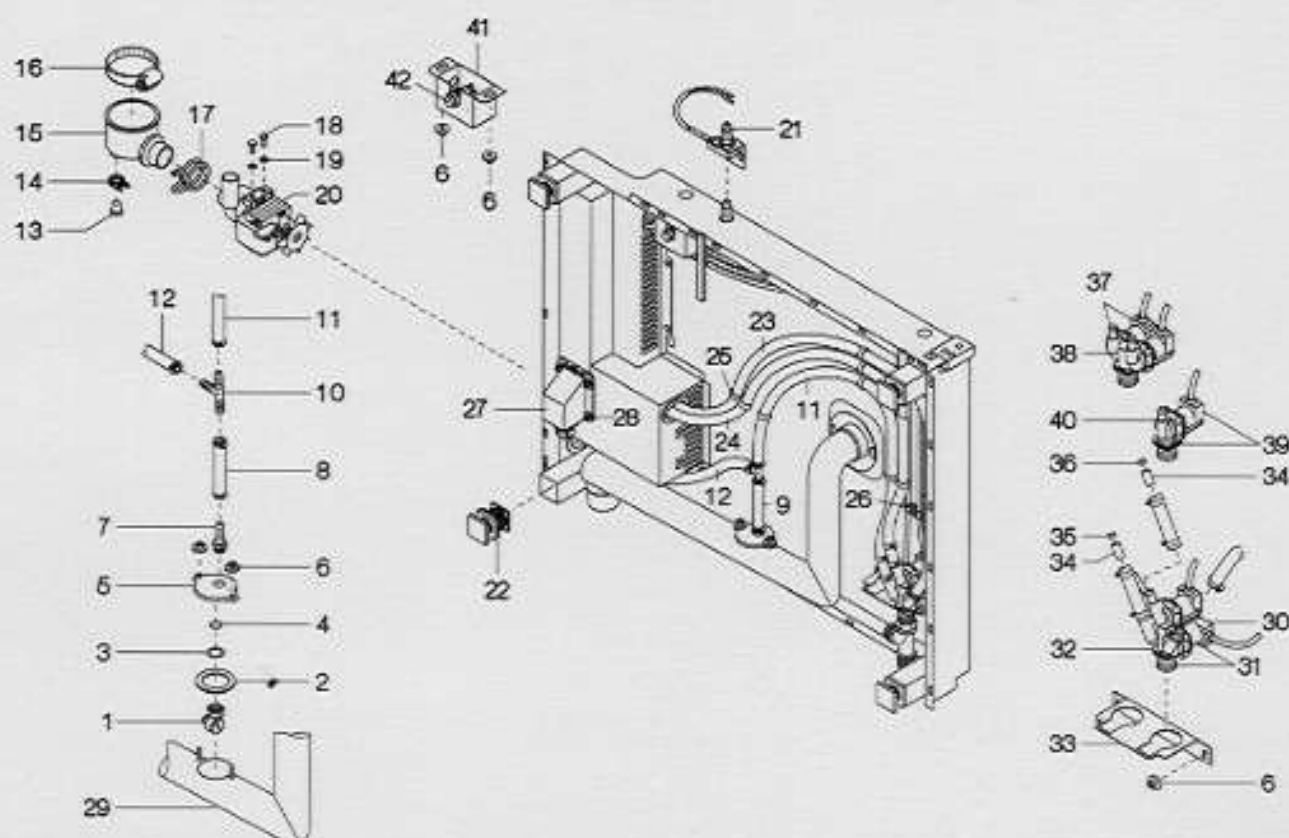
Voltage	Group	Page	Edition	Application from Serial. No.
3 N AC 380V 50Hz	10	10.1	10.1.4	10191042001



Pos.Pcs.	Sp. Part No.	Description	Sign.	Pos.Pcs.	Sp. Part No.	Description	Sign.
-	1	8612.0102		30	1	3002.0328	
		quenching nozzle cpl.		31	1	3002.0315	
1	1	2016.0900		32	1	2580.721120	
2	1	2070.0020		33	2	2016.0867	
3	1	2580.600594		34	1	1900.0101	
4	1	5012.0532		35	1	1900.0102	
5	1	2070.0021		36	1	2070.0038	
6	6	1106.0801		37	1	3002.0327	
7	1	2062.0102				double solenoid valve cpl.	
8	11	2066.0205		38	1	3002.0314	
9	1	2067.0126				body for double solenoid	
10	1	2062.0302		39	1	3002.0305	
11	1	2067.0103				single solenoid valve cpl.	
12	1	2067.0153		40	1	3002.0301	
13	1	2016.0873				body for single solenoid	
14	1	2066.0517		41	1	2581.020843	
15	1	2022.0110		42	1	3016.1352	
16	1	2066.0516				holder for push bottom	
17	1	2066.0519				push bottom	S3
18	2	1006.1960					
19	2	1206.0120					
20	2	1306.0120					
21	1	3002.1000	M2				
22	1	3016.1400	S1				
23	4	2039.0100					
24	1	2067.0120					
25	1	2067.0124					
26	12	4006.0203					
27	9	4006.0201					
28	1	3038.0200					
29	3	3002.0329					

Bottom (Lower elevation)

Voltage	Group	Page	Edition	Application from Serial. No.
3 N AC 380V 50Hz	10	10.1	10.1.5	10192051317

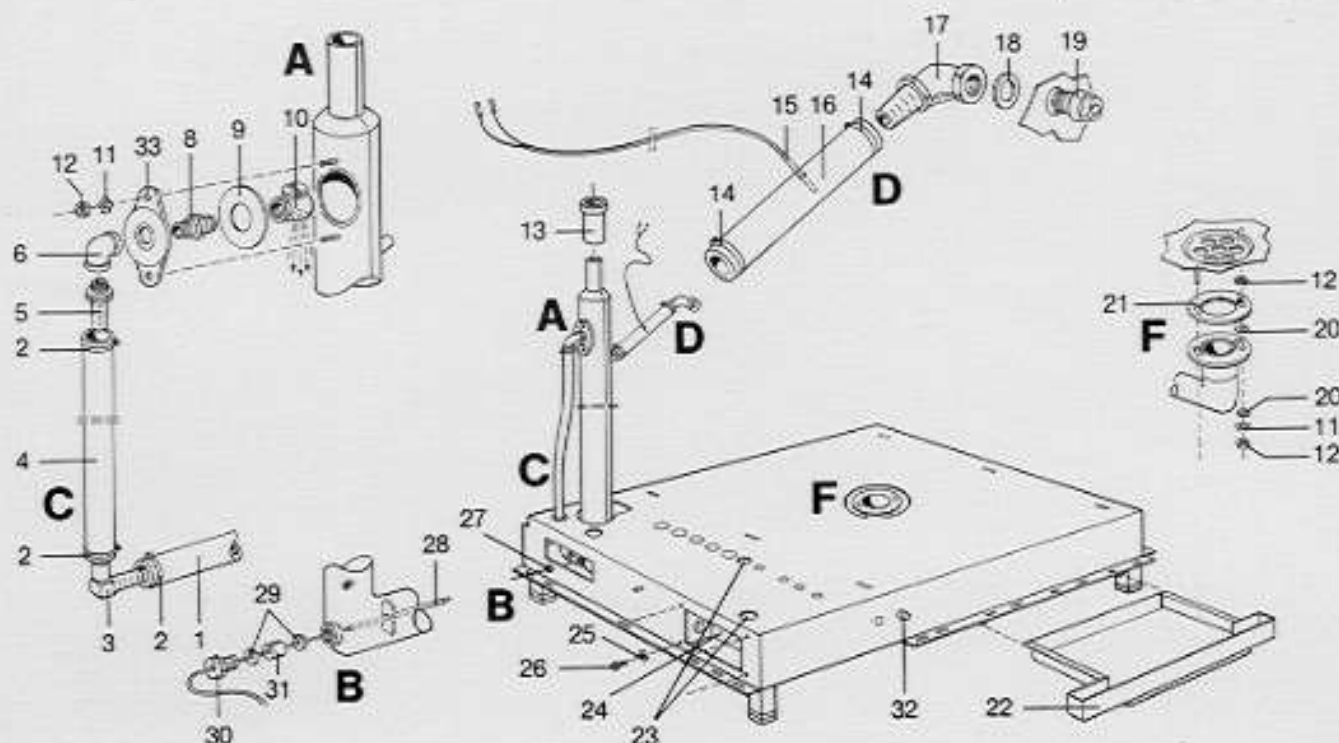


Pos.	Pcs.	Sp. Part No.	Description	Sign.	Pos.	Pcs.	Sp. Part No.	Description	Sign.
-	1	8612.0102	quenching nozzle cpl. (pos. 1,2,3,4,5,7)		31	1	3002.0328	triple solenoid valve cpl.	
1	1	2016.0900	quenching nozzle		32	1	3002.0315	body for triple solenoid valve	
2	1	2070.0020	gasket		33	1	2580.721120	holding angle	
3	1	2580.800594	washer		34	2	2016.0867	socket for flow regulator	
4	1	5012.0532	O-ring		35	1	1900.0101	flow regulator green	
5	1	2070.0021	cover		36	1	1900.0102	flow regulator red	
6	6	1106.0801	hex-combi-nut M6		37	1	3002.0327	double solenoid valve cpl. (option)	
7	1	2062.0102	hose fitting G3/8"		38	1	3002.0314	body for double solenoid valve (option)	
8	9	2066.0205	hose clamp 12-18mm		39	1	3002.0305	single solenoid valve cpl. (option)	
9	1	2067.0126	pressure hose 100mm long		40	1	3002.0301	body for single solenoid valve (option)	
10	1	2062.0302	T-fitting		41	1	2581.020843	holder for push bottom	
11	1	2067.0103	pressure hose 660mm long		42	1	3016.1352	push bottom	S3
12	1	2067.0153	pressure hose 950mm long						
13	1	2016.0873	plug for pump connection						
14	1	2066.0517	hose clamp 18,2mm						
15	1	2022.0110	pump connection						
16	1	2066.0516	hose clamp 60-80mm						
17	1	2066.0519	hose clamp 35,5mm						
18	2	1006.1960	hex cap screw M6x16						
19	2	1306.0120	washer A6,4						
20	1	3002.1000	discharging pump	M2					
21	1	3016.1400	door switch	S1					
22	4	2039.0100	foot adjustable						
23	1	2067.0120	pressure hose 1420mm long						
24	1	2067.0124	pressure hose 1300mm long						
25	12	4006.0203	hose clamp						
26	9	4006.0201	cable clamp						
27	1	8801.0206	terminal box						
28	4	1105.0122	hex-combi-nut M5						
29	1	2070.0038	drain system cpl.						
30	3	3002.0329	coil						

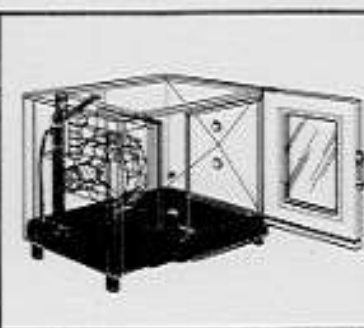


Bottom (Top elevation)

Component Group	Page	Edition	applicable from Serial No.
9	9.1	9.1.2	10188 031346

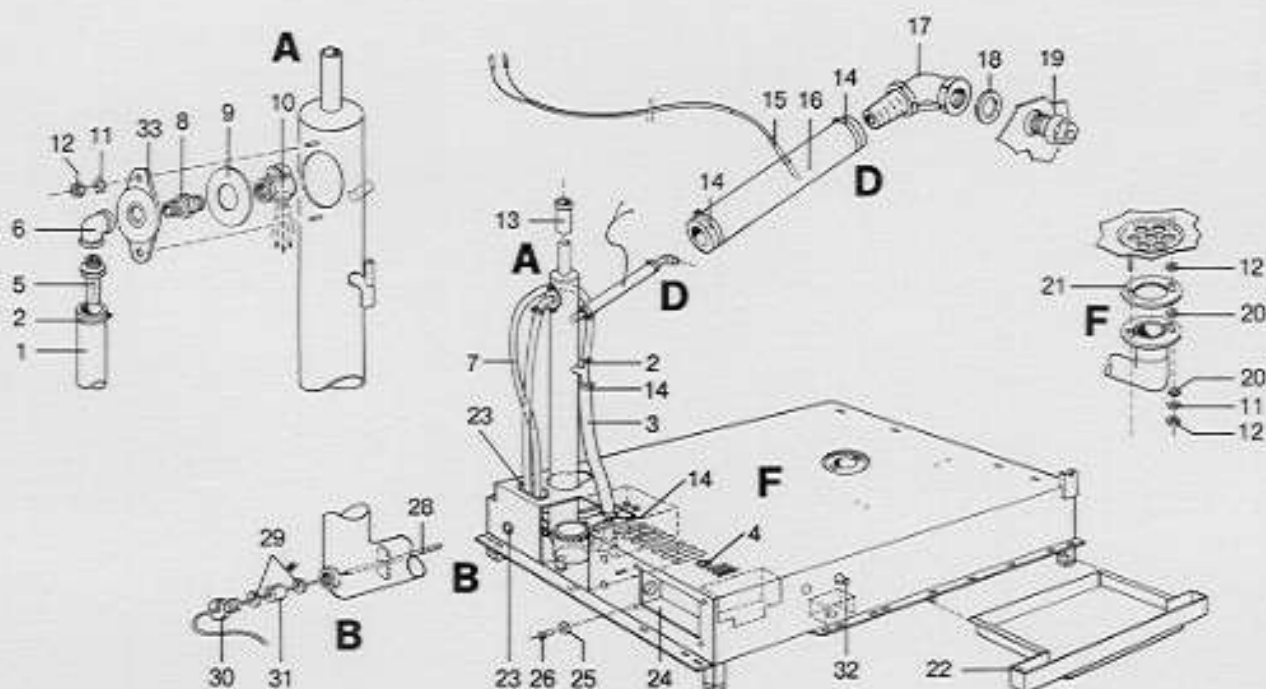


Pos.	Pcs.	Sp. Part No.	Description	Sign	Pos.	Pcs.	Sp. Part No.	Description	Sign
1	1	2067.0102	pressure hose 430 mm long		25	4	1204.0120	toothed lock washer A 4,3	
2	2	2066.0202	hose clamp 12-22 mm		26	4	1004.0660	hex socket head cap screw M 4x10	
3	1	2062.0301	plastic elbow fitting		27	1	2022.0101	grommet	
4	1	2067.0103	pressure hose 650 mm long		28	1	3014.0312	thermostat quenching system	P4
5	1	2062.0102	hose fitting G 3/8"		29	2	3014.0304	washer	
6	1	2064.0300	elbow fitting G 3/8", 90 degrees		30	1	3014.0305	stuffing box nipple	
8	1	2064.0200	double nipple G 3/8"		31	1	3014.0303	stuffing box packing	
9	1	2070.0020	gasket		32	1	3016.1400	door switch complete	S3
10	1	2016.0900	quench nozzle		33	1	2070.0021	cover for quench nozzle	
11	4	1206.0120	toothed lock washer A 6,4		-	1	8612.0105	quench nozzle complete (pos. 5, 6, 33, 8, 9, 10)	
12	6	1106.0160	hex nut M6						
13	1	4016.0601	air inlet grommet						
14	2	2066.0506	hose clamp 20-32 mm						
15	1	3014.0152	sensor for steam controller P2						
16	1	2067.1605	silicone hose 285 mm long						
17	1	2070.0008	elbow fitting G 1/2", 90 degrees						
18	1	1315.0100	copper washer						
19	1	2016.0850	bushing G 1/2" from 10189041228: 8450.0101						
20	4	1306.0221	washer A 6,4						
21	1	5012.0525	gasket						
22	1	8100.0115	drip collector						
23	1	4016.0400	grommet						
24	1	3038.0200	terminal box						



Bottom (Top elevation)

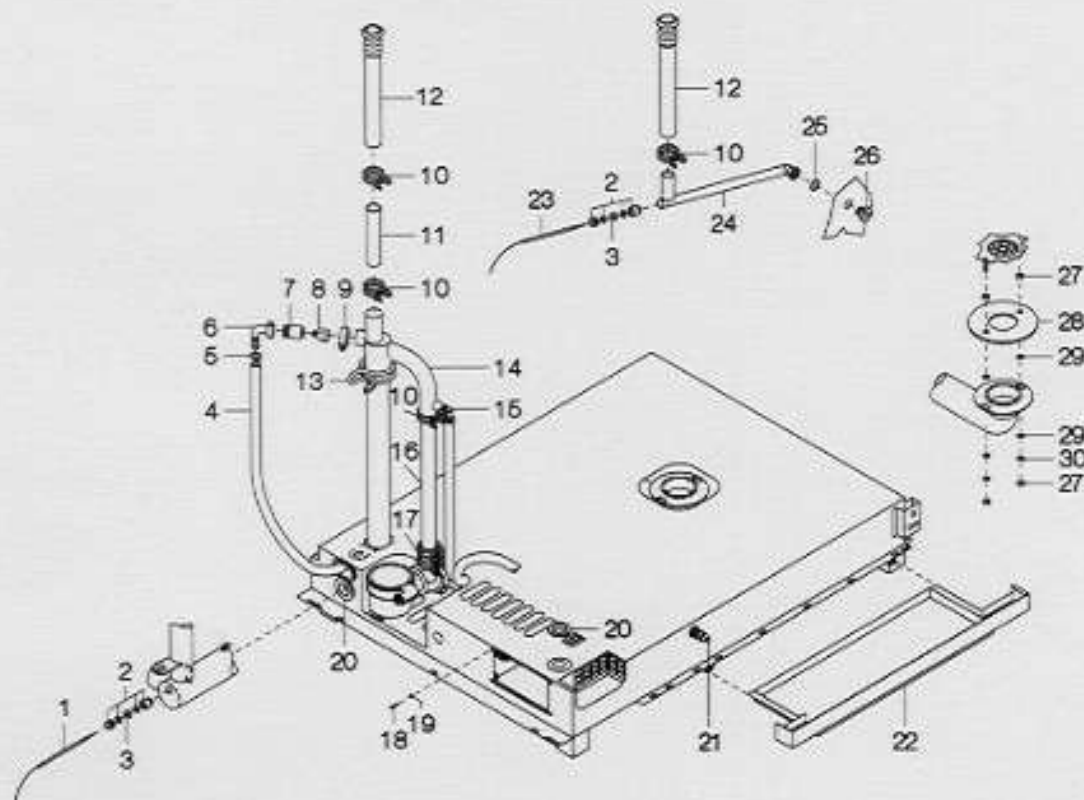
Component Group	Page	Edition	applicable from Serial No.
9	9.1	9.1.3	101 89 10 4001



Pos.	Pcs.	Sp.	Part No.	Description	Sign	Pos.	Pcs.	Sp.	Part No.	Description	Sign
1	1		2067.0131	pressure hose		31	1		3014.0303	stuffing box packing	
2	2		2066.0202	hose clamp 12 – 22 mm		32	1		3016.1400	door switch	S3
3	1		2067.1615	silicone hose 400 mm long		33	1		2070.0021	cover for quench nozzle	
4	2		2022.0105	grommet		-	1		8612.0105	quench nozzle complete (pos. 5, 6, 33, 8, 9, 10)	
5	1		2062.0102	hose fitting G 3/8"							
6	1		2064.0300	elbow fitting G 3/8", 90 degrees							
7	1		2067.0133	pressure hose							
8	1		2064.0200	double nipple G 3/8"							
9	1		2070.0020	gasket							
10	1		2016.0900	quench nozzle							
11	4		1206.0120	toothed lock washer A6,4							
12	6		1106.0160	hex nut M6							
13	1		4016.0601	air inlet grommet							
14	4		2066.0506	hose clamp 20 – 32 mm							
15	1		3014.0152	sensor for bypass							
16	1		2067.1605	silicone hose 285 mm long							
17	1		8450.0101	elbow fitting G 1/2", 90 degrees							
18	1		1315.0100	copper washer							
19	1		2016.0857	bushing G 1/2"							
20	4		1306.0221	washer A6,4							
21	1		5012.0525	gasket							
22	1		8100.0115	drip collector							
23	2		4016.0450	grommet							
24	1		3038.0200	terminal box							
25	4		1204.0120	toothed lock washer A4,3							
26	4		1004.0660	hex socket head cap screw M 4x10							
28	1		3014.0312	thermostat quenching system	P4						
29	2		3014.0304	washer							
30	1		3014.0305	stuffing box nipple							

Bottom (Top elevation)

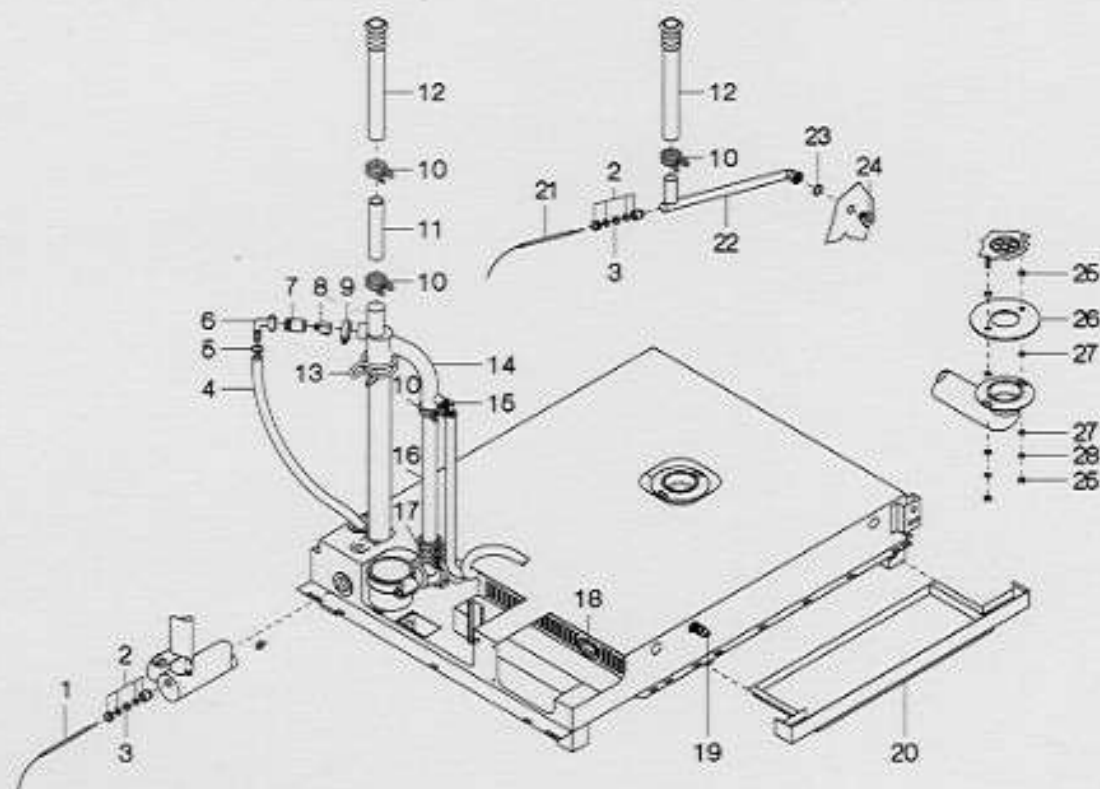
Voltage	Group	Page	Edition	Application from Serial. No.
3 N AC 380V 50Hz	9	9.1	9.1.4	10191042001



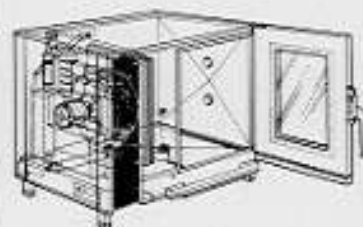
Pos.	Pcs.	Sp. Part No.	Description	Sign.
-	1	8612.0111	quenching nozzle cpl. (pos.7,8)	
1	1	3014.0312	thermostat quenching	P4
2	2	4007.0600	cable connection PG9	
3	2	2022.0100	gasket	
4	1	2067.0153	pressure hose 950mm long	
5	4	2066.0205	hose clamp 12-18mm	
6	1	2062.0208	threaded pipe angle G1/2"	
7	1	2016.0883	threaded connection for quenching nozzle	
8	1	2016.0915	quenching nozzle	
9	1	2066.0506	hose clamp 20-32mm	
10	3	2066.0518	hose clamp 30mm	
11	1	2610.420320	PP-pipe 145mm long	
12	2	4016.0101	air inlet grommet	
13	1	2066.0520	hose clamp 46mm	
14	1	2022.0201	drain elbow	
15	1	2062.0301	plastic elbow fitting	
16	1	2644.250288	PP-pipe 300mm long	
17	1	2022.0202	hose connection pipe 40mm long	
18	4	1004.0660	hex socket head screw M4x10	
19	4	1204.0120	toothed lock washer A4,3	
20	3	4016.0450	grommet	
21	1	3016.1400	door switch	S1
22	1	8100.0115	drip collector	
23	1	3014.0155	thermostat bypass	P2
24	1	2071.0100	bypass pipe	
25	1	1315.0104	copper washer	
26	1	2016.0920	bypass nozzle	
27	6	1106.0160	hex nut M6	
28	1	5012.0555	gasket	
29	4	1306.0221	washer A6,4	
30	2	1206.0120	toothed lock washer A6,4	

Bottom (Top elevation)

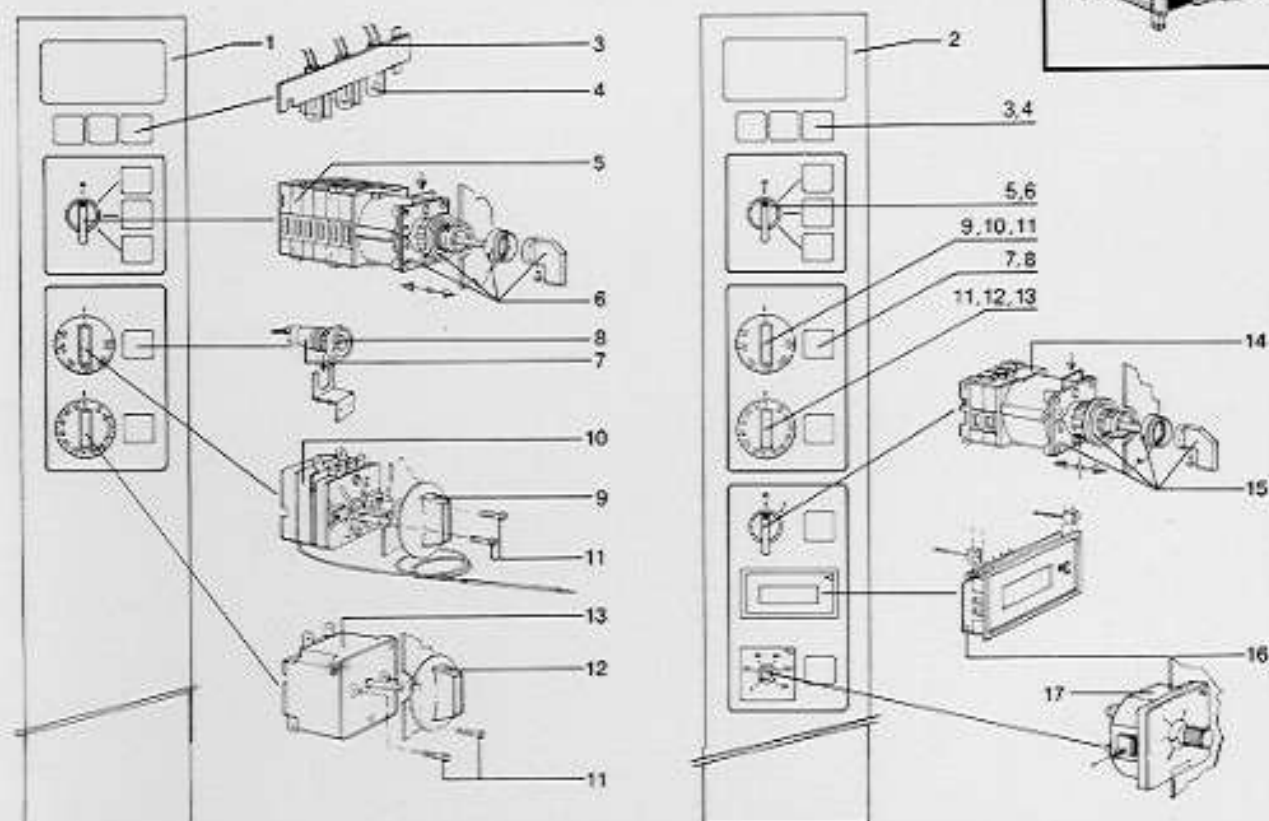
Voltage	Group	Page	Edition	Application from Serial. No.
3 N AC 380V 50Hz	9	9.1	9.1.5	10192051317



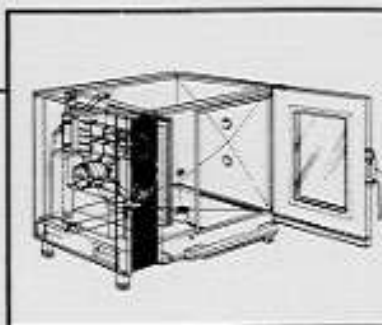
Pos.	Pcs.	Sp. Part No.	Description	Sign.
-	1	8612.0111	quenching nozzle cpl. (pos.7,8)	
1	1	3014.0312	thermostat quenching	P4
2	2	4007.0600	cabl. connection PG9	
3	2	2022.0100	gasket	
4	1	2067.0153	pressure hose 950mm long	
5	4	2066.0205	hose clamp 12-18mm	
6	1	2062.0208	threaded pipe angle G1/2"	
7	1	2016.0883	threaded connection for quenching nozzle	
8	1	2016.0915	quenching nozzle	
9	1	2066.0506	hose clamp 20-32mm	
10	3	2066.0518	hose clamp 30mm	
11	1	2610.420320	PP-pipe 145mm long	
12	2	4016.0101	air inlet grommet	
13	1	2066.0520	hose clamp 46mm	
14	1	2022.0201	drain elbow	
15	1	2062.0301	plastic elbow fitting	
16	1	2644.250288	PP-pipe 300mm long	
17	1	2022.0202	hose connection pipe 40mm long	
18	3	4016.0450	grommet	
19	1	3016.1400	door switch	S1
20	1	8100.0115	drip collector	
21	1	3014.0155	thermostat bypass	P2
22	1	2071.0100	bypass pipe	
23	1	1315.0104	copper washer	
24	1	2016.0920	bypass nozzle	
25	6	1106.0160	hex nut M6	
26	1	5012.0555	gasket	
27	4	1306.0221	washer A6,4	
28	2	1206.0120	toothed lock washer A6,4	


Control Panel

Component Group	Page	Edition	applicable from Serial No.
1	1.1	1.1.1	10186 06 1757

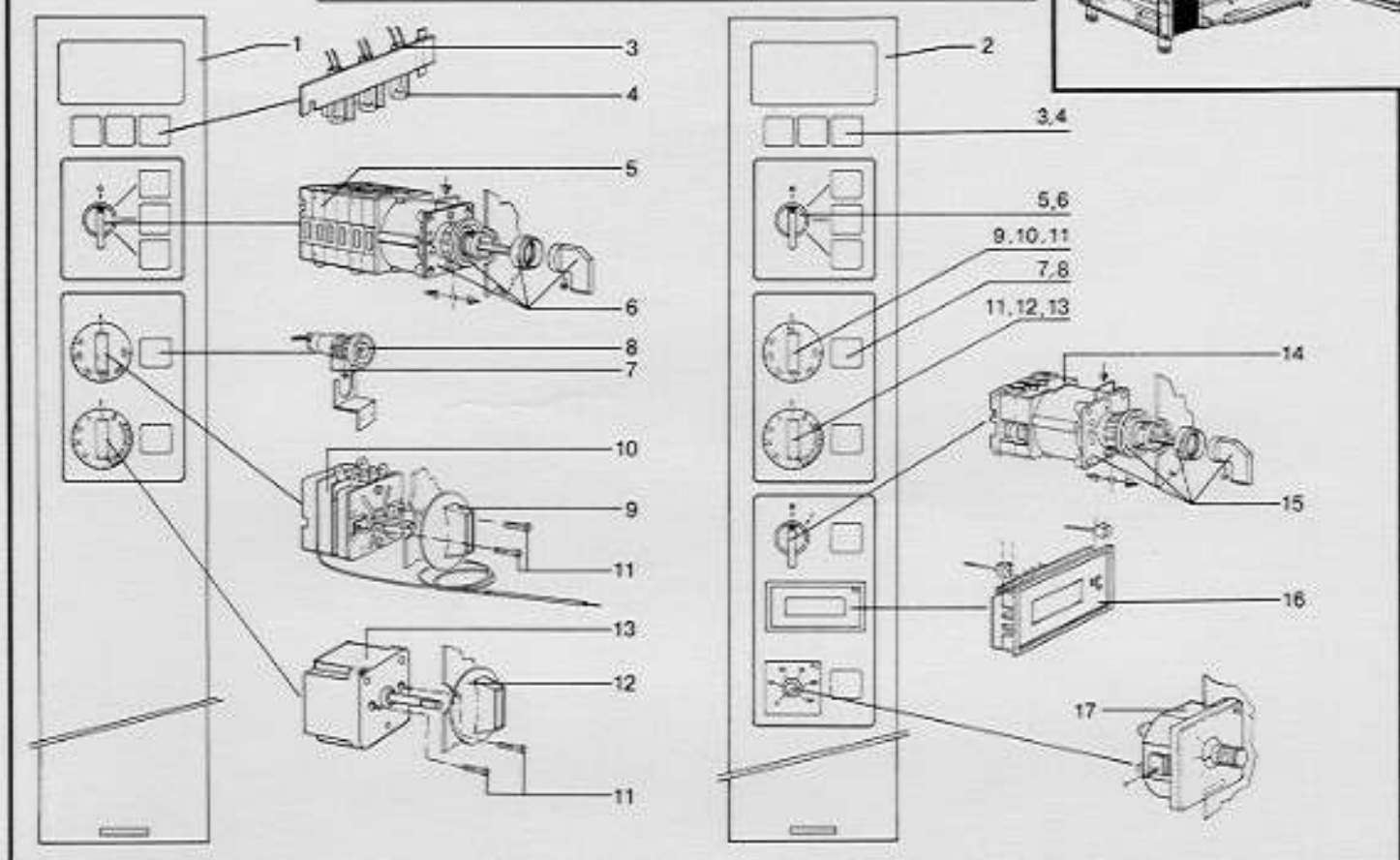


Pos.	Pcs.	Sp.	Part No.	Description	Sign
1	1		2049.0519	control panel	
2	1		2049.0520	control panel with core temperature / meat probe	
3	3		3024.0303	socket for control lamp	
4	3		3025.0304	bulb for control lamp	
5	1		3016.1300	mode switch block	S2
6	1		3016.1310	mode switch knob assy	
7	1		3023.0300	socket for heating controller	
8	1		3024.0300	glow lamp for heating controller	
9	1		3013.0201	dial 60° - 300°C	
10	1		3014.0318	thermostat hot air heating	P5
11	4		1004.0060	slotted pan head screw M 4x4	
12	1		3013.0108	dial 120 min	
13	1		3013.0109	timer 120 min	S3
14	1		3016.1500	core temperature switch block	S5
15	1		3016.1310	mode switch knob assy	
16	1		3035.0602	liquid crystal display	E2
17	1		3035.0600	potentiometer	E3

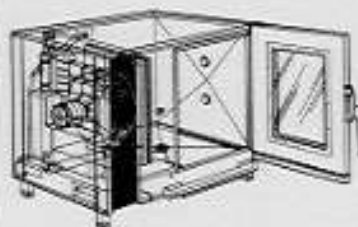


Control Panel

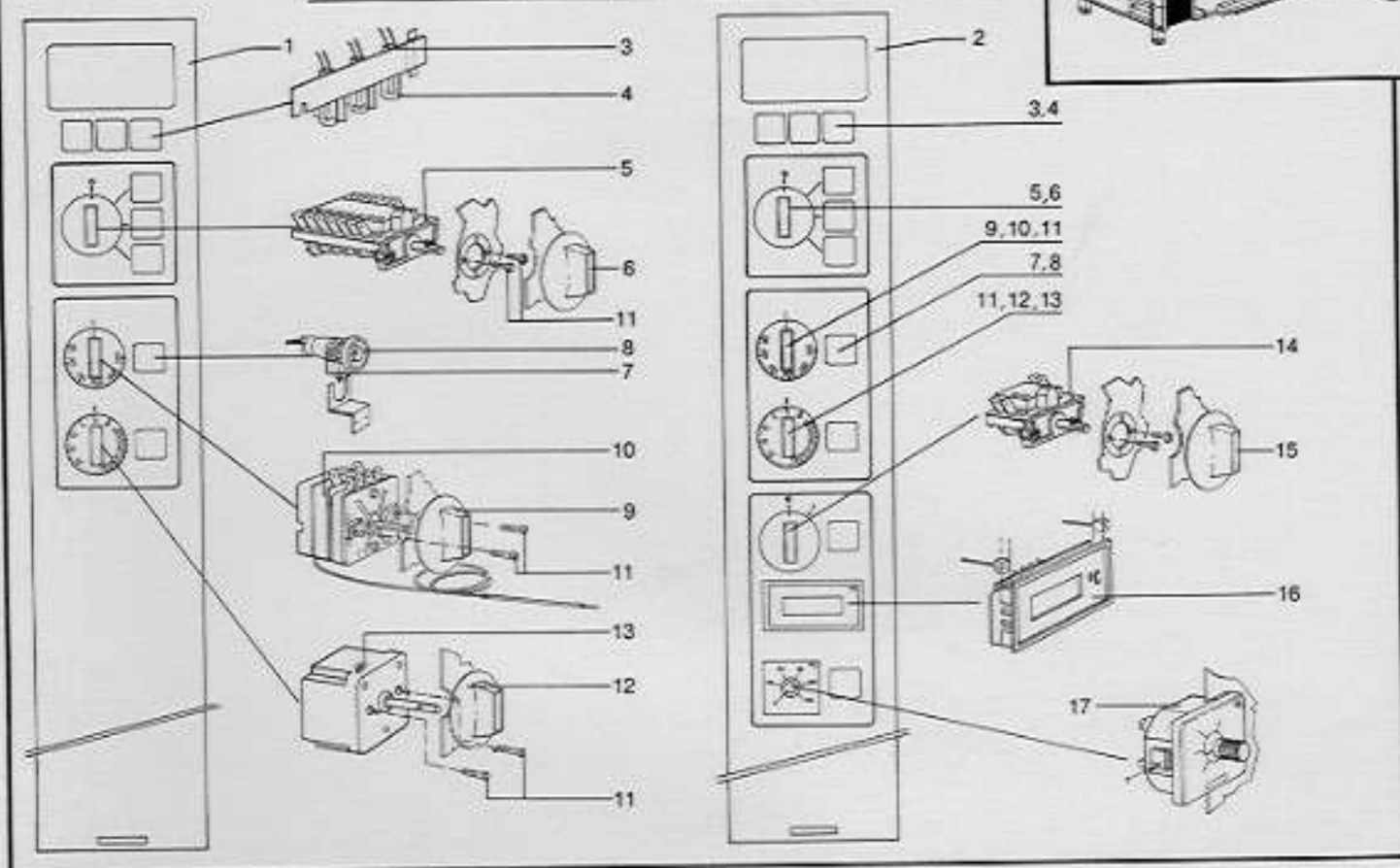
Component Group	Page	Edition	applicable from Serial No.
1	1.1	1.1.2	101 88 09 2258



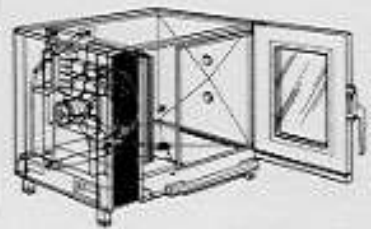
Pos.	Pcs.	Sp. Part No.	Description	Sign
1	1	2049.0519	control panel	
2	1	2049.0520	control panel with core temperature/meat probe	
3	3	3024.0303	socket for control lamp	
4	3	3025.0304	bulb for control lamp	
5	1	3016.1300	mode switch block	S2
6	1	3016.1310	mode switch knob assy	
7	1	3023.0300	socket for heating controller	
8	1	3024.0300	glow lamp for heating controller	
9	1	3013.0201	dial 60 degrees - 300 degrees C	
10	1	3014.0318	thermostat hot air heating	P5
11	4	1004.0060	slotted pan head screw M 4x4	
12	1	3013.0105	dial 30 min spreading	
13	1	3013.0104	timer 30 min spreading	S3
14	1	3016.1500	core temperature switch block	S5
15	1	3016.1310	mode switch knob assy	
16	1	3035.0602	liquid crystal display	E2
17	1	3035.0600	potentiometer	E3


Control Panel

Component Group	Page	Edition	applicable from Serial No.
1	1.1	1.1.3	101 89 04 1228

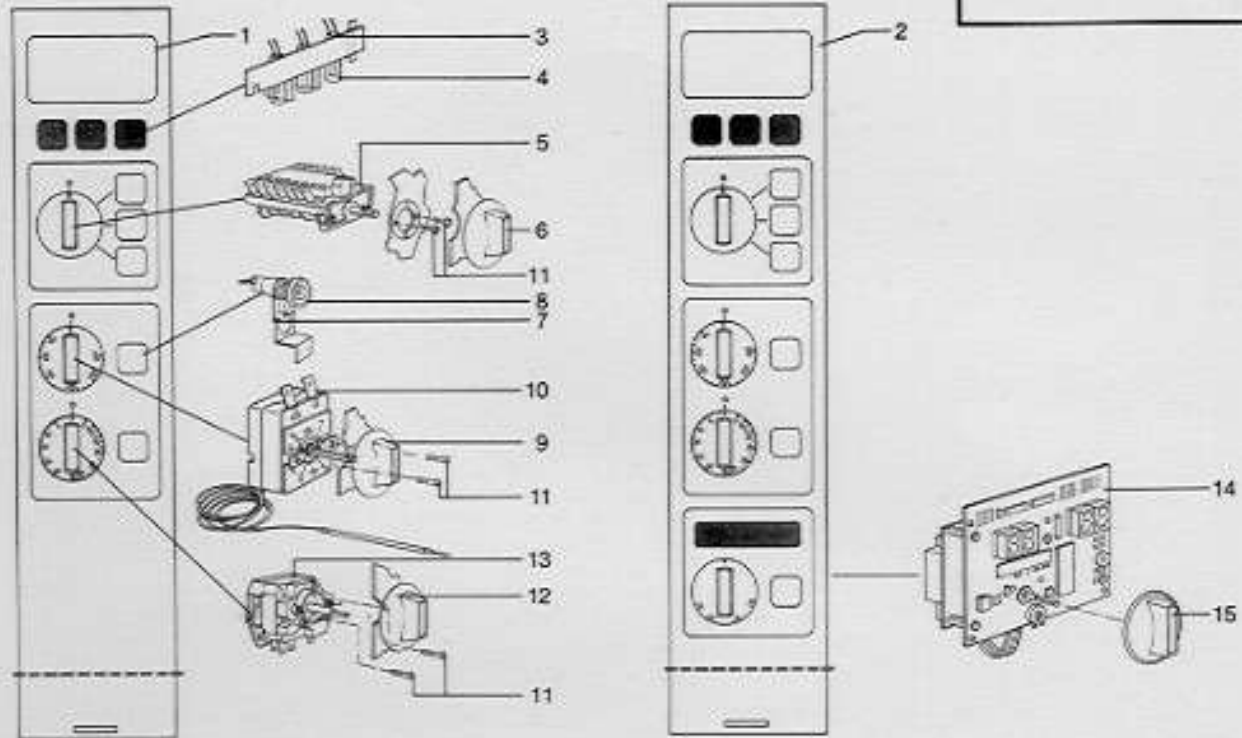


Pos.	Pcs.	Sp.	Part No.	Description	Sign
1	1		2049.0671	control panel	
2	1		2049.0672	control panel with core temperature/meat probe	
3	3		3024.0303	socket for control lamp	from 10189071955: 1 8430.7110 lamp block complete
4	3		3025.0304	bulb for control lamp	from 10189071955: 3 3025.0306 bulb for control lamp
5	1		3016.1610	mode switch	S2
6	1		3013.0113	dial for mode switch	
7	1		3023.0300	socket for heating controller	
8	1		3024.0300	glow lamp for heating controller	
9	1		3013.0201	dial 60 degrees - 300 degrees C	
10	1		3014.0318	thermostat hot air heating	P5
11	8		1004.0060	slotted pan head screw M 4x4	
12	1		3013.0105	dial 30 min spreading	
13	1		3013.0104	timer 30 min spreading	S3
14	1		3016.1620	core temperature switch	S5
15	1		3013.0113	dial for meat probe	
16	1		3035.0602	liquid crystal display	E2
17	1		3035.0600	potentiometer	E3



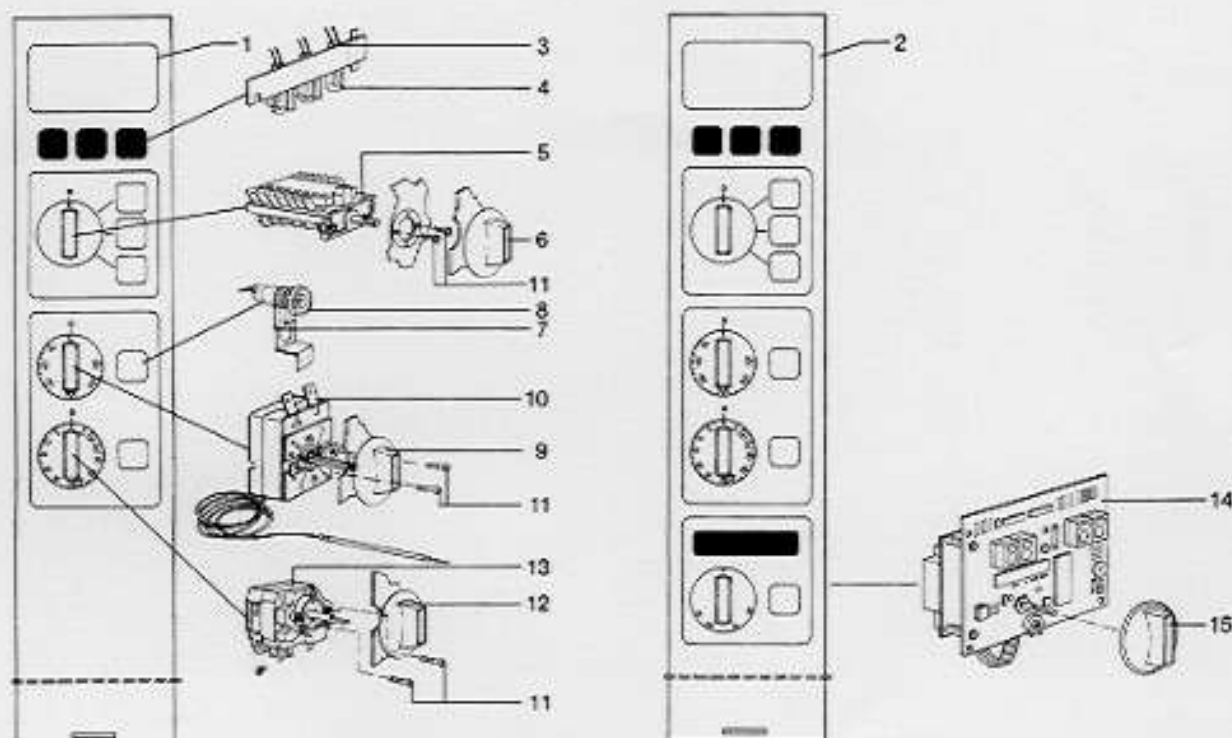
Control Panel

Component Group	Page	Edition	applicable from Serial No.
1	1.1	1.1.4	101 8910 4001

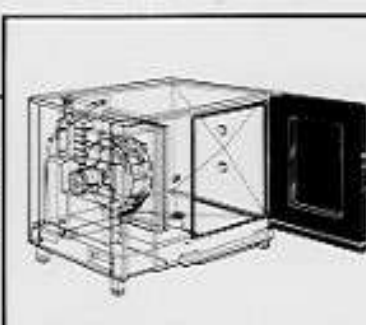


Pos.	Pcs.	Sp.	Part No.	Description	Sign
1	1		2049.0671	control panel	
2	1		2049.0751	control panel with core temperature/meat probe	
3	1		8430.7110	lamp block complete	
4	3		3025.0306	bulb for control lamp	
5	1		3016.1640	mode switch	S2
6	1		3013.0113	dial for mode switch	
7	1		3023.0300	socket for heating controller	
8	1		3024.0300	glow lamp for heating controller	
9	1		3013.0201	dial 60 degrees – 300 degrees C	
10	1		3014.0318	thermostat hot air heating	P5
11	8		1004.0060	slotted pan head screw M 4x4	
12	1		3013.0105	dial 30 min spreading	
13	1		3013.0104	timer 30 min spreading	S3
14	1		3035.0630	meat probe controller	A2
15	1		3013.0114	dial for meat probe controller	

Bedienblende Control Panel	Spannung Voltage	Baugruppe Group	Ausgabe Edition	gültig ab Seriennummer Applicable from Serial.No.
	3 N AC 400V 50Hz	1	1.1.5	10196011001

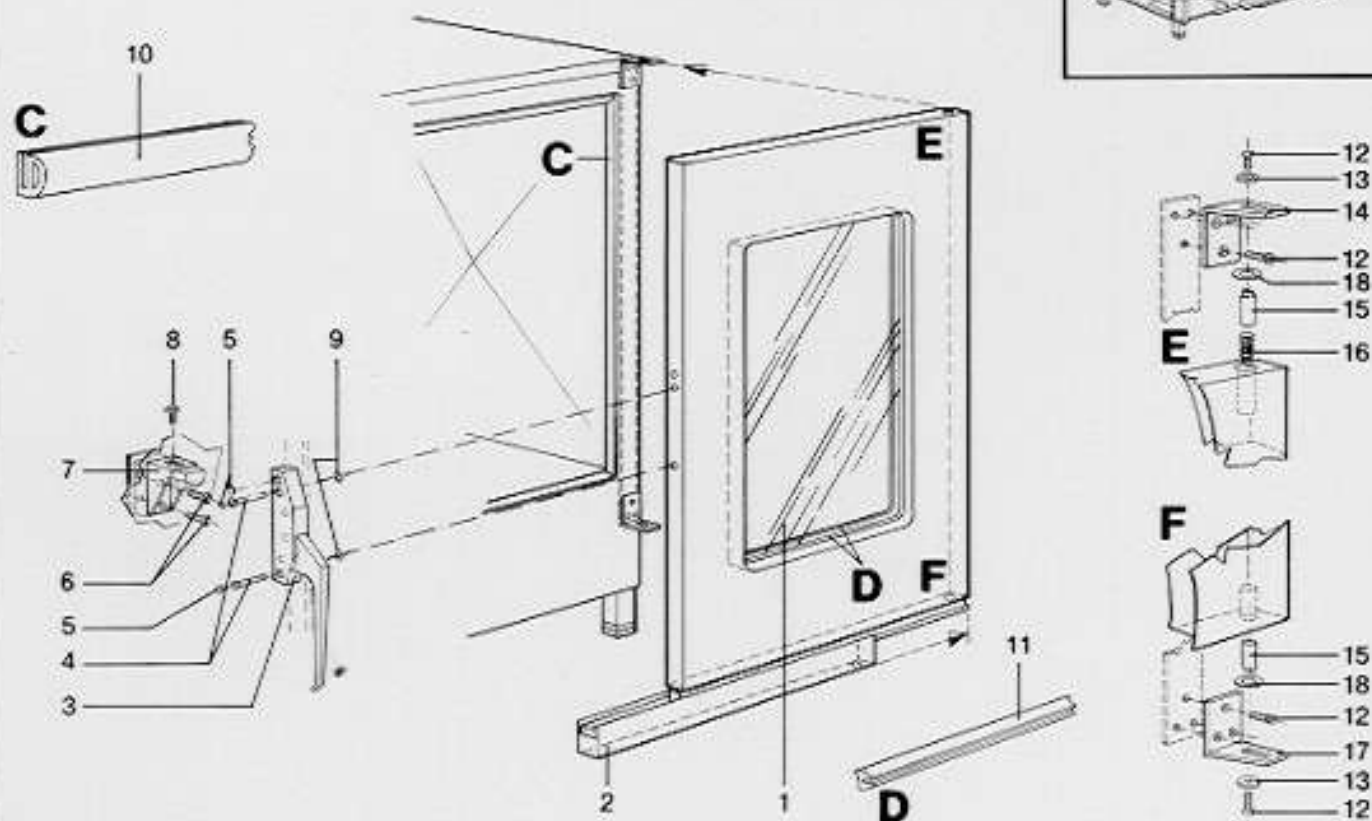


Pos.	St.	Ersatz.Nr.	Bezeichnung	Description
Pos.	Pcs.	Sp. Part No.		
1	1	2049.0671	Blende	Control panel
2	1	2049.0751	Blende mit Kerntemperatur	Control panel with core temperature
3	3	8430.7110	Lampenblock kpl.	Lamp-block complete
4	3	3025.0306	Glühlampe für Kontrolleuchte	Bulb for control lamp
5	1	3016.1640	Betriebsartenschalter CD	Mode switch block type CD
6	1	3013.0113	Knebel Betriebsart	Dial for mode switch
7	1	3023.0300	Fassung für Heizungskontrolleuchte	Socket for heating control
8	1	3024.0300	Glimmlampe 230V, für Heizungskontrolleuchte	Glow lamp for heating control
9	1	3013.0201	Knebel für Heißluftthermostat 60-300°C	Dial 60-300°C type CD
10	1	3014.0318	Thermostat Heißluftheizung 60-300°C	Thermostat hot air 60-300°C
11	8	1004.0060	Zylinderschraube mit Schlitz M4x4	Slotted pan head screw M4x4
12	1	3013.0105	Knebel für Zeitschaltuhr mit 30min Spreizung	Dial for timer with 30min. spreading
13	1	3013.0104	Zeitschaltuhr 120Min. mit 30Min.Spreizung	Timer white 120min. with 30min.spreading
14	1	3035.0630	Regelplatine KT	CT PCB type CD
15	1	3013.0114	Knebel f. KT-Schalter	Dial for CT switch
-	1	3016.1415	Türkontaktschalter	Door contact switch

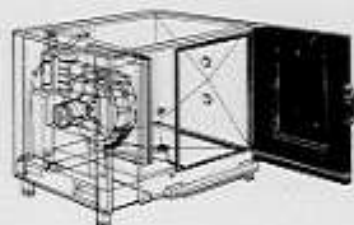


Door

Component Group	Page	Edition	applicable from Serial No.
8	8.1	8.1.1	10186 06 1757

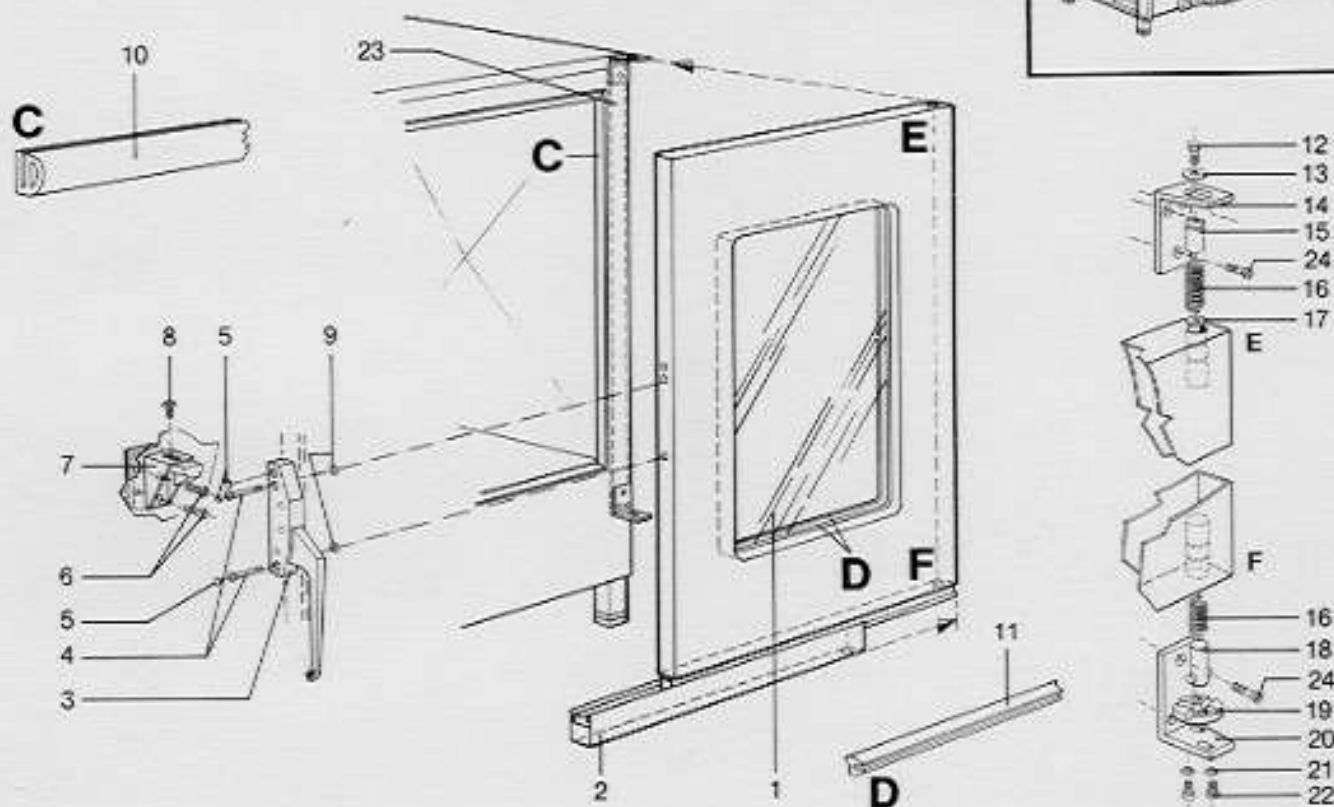


Pos.	Pcs.	Sp.	Part No.	Description	Sign
-	1		8202.2001	door complete	
1	1		5015.0900	door window	
2	1		2530.070008	door drip collector	
3	1		2016.1100	door lock	
4	2		1005.1962	socket countersunk head cap screw M 5x30	
5	3		2016.1102	end-cap door lock	
6	2		1005.2100	safety screw M 5x16	
7	1		2016.0610	door catch	
8	1		1005.2000	safety screw M 5x8	
9	2		1305.0260	washer A 5,3	
10	1		5012.0704	door gasket	
11	1		5012.0200	window gasket 3,7 m	
12	8		1005.1960	socket countersunk head cap screw M 5x16	
13	2		2031.0700	rosette	
14	1		8440.1001	holder on top	
15	2		2016.0801	door bolt	
16	1		2001.0103	compression spring	
17	1		8440.1000	holder below	
18	2		1310.0160	washer A 10,5	



Door

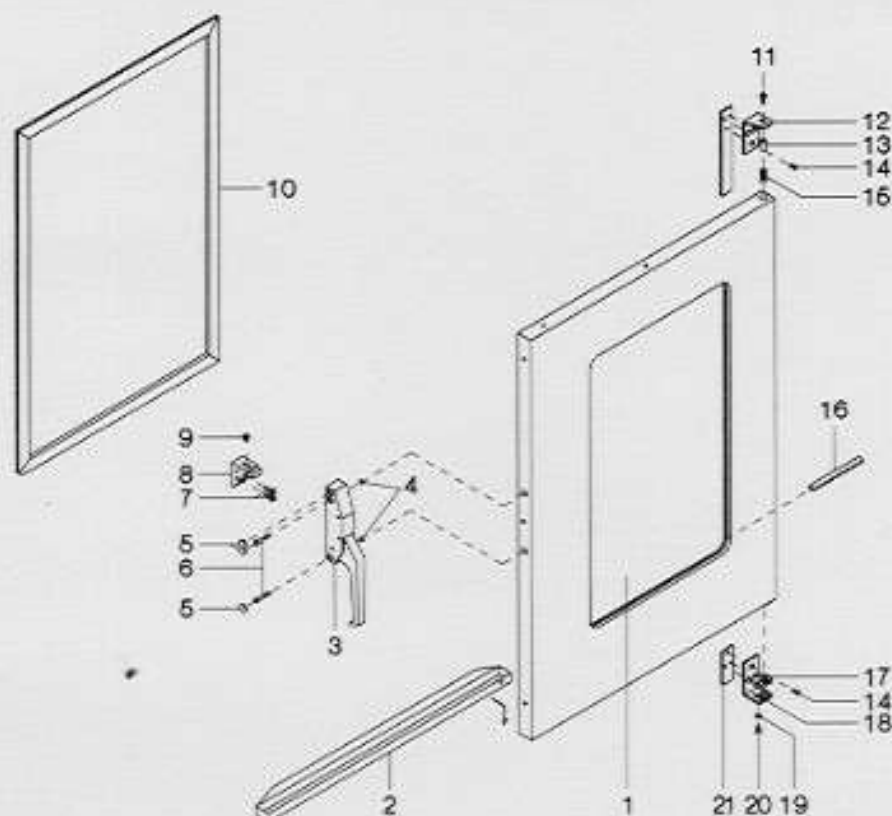
Component Group	Page	Edition	applicable from Serial No.
8	8.1	8.1.2	101 89 08 1976



Pos.	Pcs.	Sp.	Part No.	Description	Sign
-	1		8202.20010489	door complete	
1	1		5015.0900	door window	
2	1		8100.0116	door drip collector	
3	1		2016.1100	door lock	
4	2		1005.1962	socket countersunk head cap screw M 5x30	
5	3		2016.1102	end-cap door lock	
6	2		1005.2100	safety screw M 5x16	
7	1		2016.0610	door catch	
8	1		1005.2000	safety screw M 5x8	
9	2		1305.0260	washer A 5,3	
10	1		5012.0704	door gasket	
11	1		5012.0202	set window gasket	
12	1		1008.0750	hex screw M 5x16	
13	1		1305.0260	washer	
14	1		8440.1000	door holding bracket, top	
15	2		2016.0801	door bolt	
16	1		2001.0105	compression spring	
17	1		1310.0160	spacing washer	
18	1		2016.0865	locking knob	
19	1		2016.0864	locking plate	
20	1		8440.1006	door holding bracket bottom	
21	1		1205.0360	spring washer	
22	2		1005.0663	hexagon socket screw	
23	1		8440.1008	door holding bracket CD/CM 101	
24	6		1005.1960	socket countersunk head cap screw M 5x16	

Door

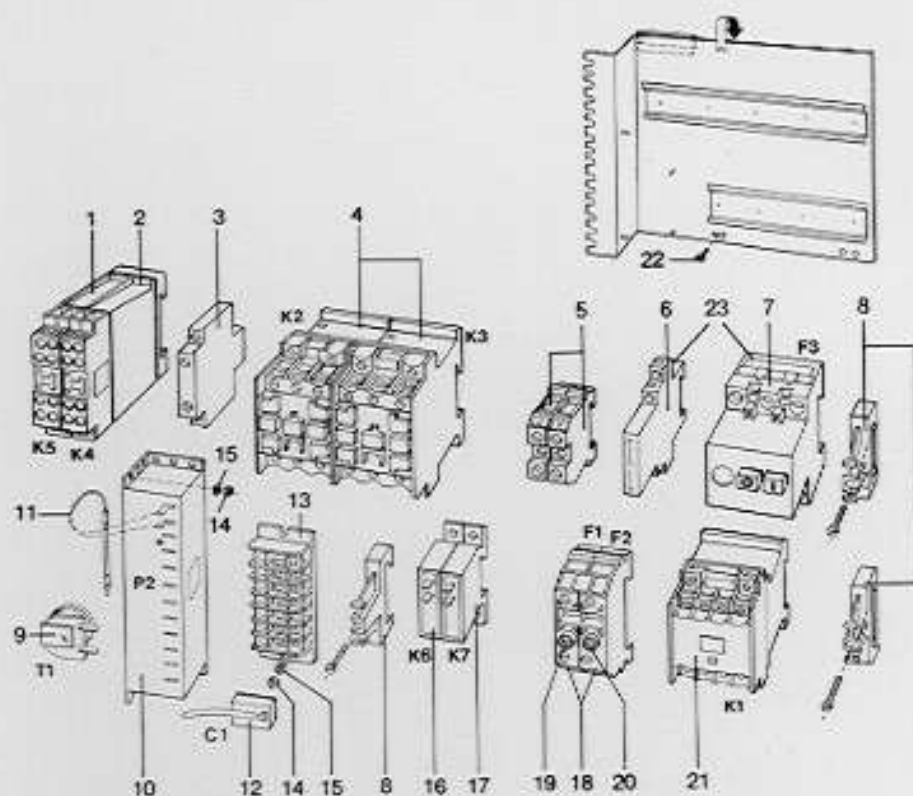
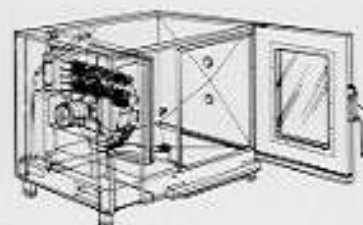
Voltage	Group	Page	Edition	Application from Serial. No.
3 N AC 380V 50Hz	8	8.1	8.1.3	10191042001



Pos.	Pcs.	Sp. Part No.	Description	Sign.
-	1	8202.3001	door cpl.	
1	1	5015.0900	door window	
2	1	2530.031166	door drip collector	
3	1	2016.1100	door lock	
4	2	1305.0260	washer A5,3	
5	3	2016.1102	end-cap door lock	
6	2	1005.1964	hex socket countersunk head screw M5x30	
7	3	1005.2100	safety screw M5x16	
8	1	2016.0610	door catch	
9	2	1005.2000	safety screw M5x8	
10	1	5012.0704	door gasket	
11	1	1008.0752	hex screw M5x10	
12	1	8440.1000	door holder top	
13	1	2016.0801	door bolt	
14	6	1005.1960	hex socket countersunk head screw M5x16	
15	1	2001.0108	compression spring	
16	1	5012.0202	set gasket for door window	
17	1	2016.0884	door locking plate	
18	1	2630.210311	door holder down	
19	2	1205.0362	spring washer A5,3	
20	1	1008.0752	hex cap screw M5x10	
21	1	2630.200310	door holding bracket	

Electrical Installation

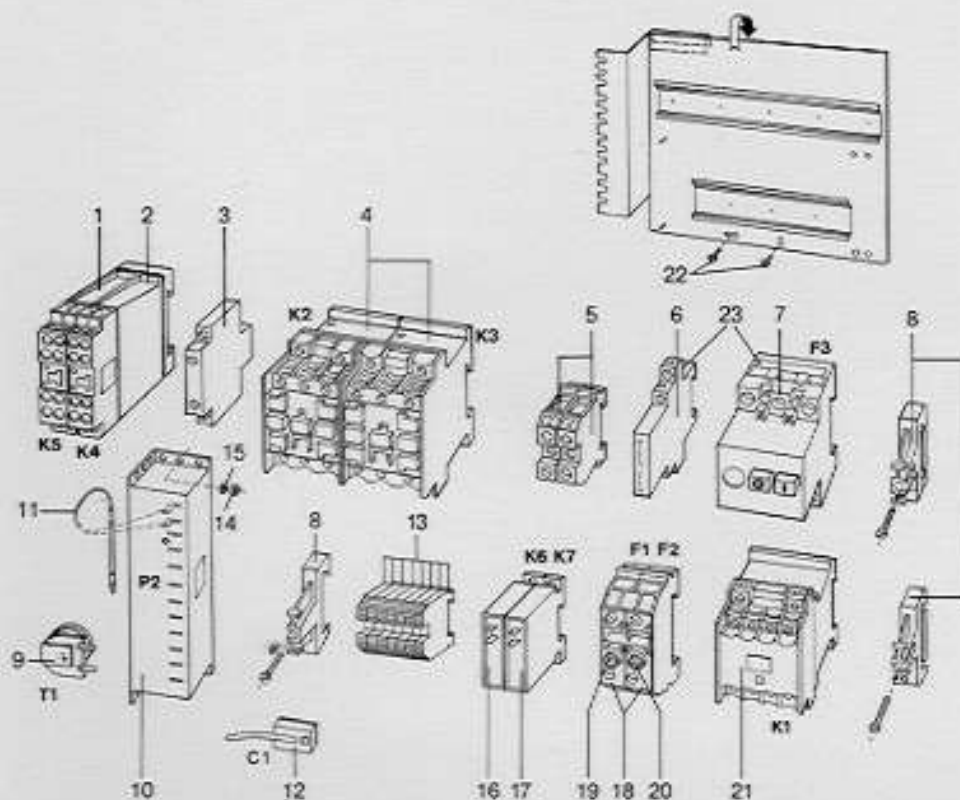
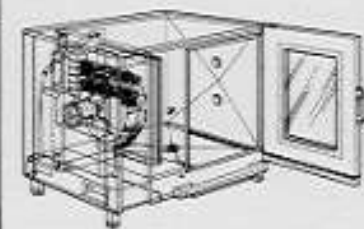
Component Group	Page	Edition	applicable from Serial No.
2	2.1	2.1.1	10186 06 1757



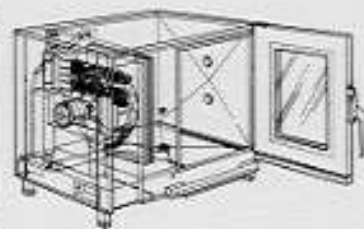
Pos.	Pcs.	Sp.	Part No.	Description	Sign
1	1		3035.0401	time relay generator filling	K5
2	1		3035.0402	time relay low water	K4
3	1		3028.0150	auxiliary contact for contactor K2	
4	1		3028.0101	contactor for hot air heating	K2
4	1		3028.0101	contactor steam generator heating	K3
5	2		4001.1209	terminal block grey 16 mm ²	
6	1		3031.0102	auxiliary contact for motor protector F 3	
7	1		3031.0106	motor protector	F3
8	3		4001.1201	endplate	
9	1		3006.0101	buzzer	T1
10	1		3014.0110	solid state steam controller	P2
11	1		3014.0120	temperature sensor for controller P2	
12	1		3035.0508	RC-link (only for core temperature)	C1
13	1		4001.1175	multi connector	
14	4		1103.0120	hex nut M3	
15	4		1304.0150	washer A 3,2	
16	1		3035.0403	time relay - blinker	K6
17	1		3035.0404	time relay 1 sec. start delay	K7
18	2		4001.1228	fuse holder	F1, F2
19	1		3019.0200	fuse 6,3 A	
20	1		3019.0400	fuse 0,5 A	
21	1		3028.0100	motor contactor	K1
22	1		1004.2160	hex head tapping screw B 4,2	
23	1		3031.0101	motor protector with auxiliary contact	

Electrical Installation

Component Group	Page	Edition	applicable from Serial No.
2	2.1	2.1.2	101 88 03 1346

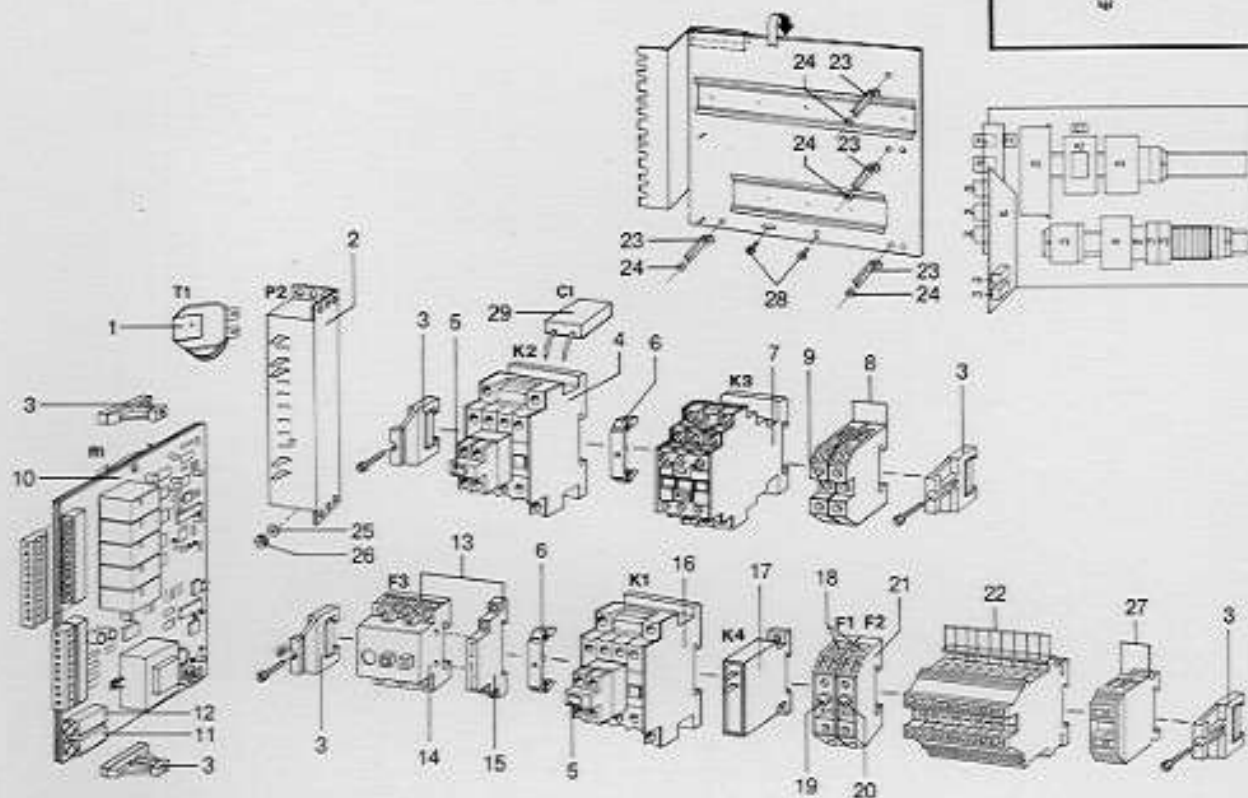


Pos.	Pcs.	Sp.	Part No.	Description	Sign
1	1		3035.0401	time relay generator filling	K5
2	1		3035.0402	time relay low water	K4
3	1		3028.0150	auxiliary contact for contactor K2	
4	1		3028.0101	contactor for hot air heating	K2
4	1		3028.0101	contactor steam generator heating	K3
5	2		4001.1209	terminal block grey 16 mm ²	
6	-		3031.0102	auxiliary contact for motor protector F3	
7	-		3031.0106	motor protector	
8	3		4001.1201	endplate	
9	1		3006.0101	buzzer	T1
10	1		3014.0113	solid state steam controller	P2
11	1		3014.0152	sensor for bypass	P2
12	1		3035.0508	RC-link (only for core temperature)	C1
13	7		4001.1176	terminal block	
14	2		1103.0120	hex nut M3	
15	2		1304.0150	washer A3,2	
16	1		3035.0403	time relay - blinker	K6
17	1		3035.0404	time relay 1 sec. start delay	K7
18	2		4001.1228	fuse holder	F1,F2
19	1		3019.0200	fuse 6,3 A	
20	1		3019.0400	fuse 0,5 A	
21	1		3028.0100	motor contactor	K1
22	1		1004.2160	hex head tapping screw B4,2	
23	1		3031.0101	motor protector with auxiliary contact	F3



Electrical Installation

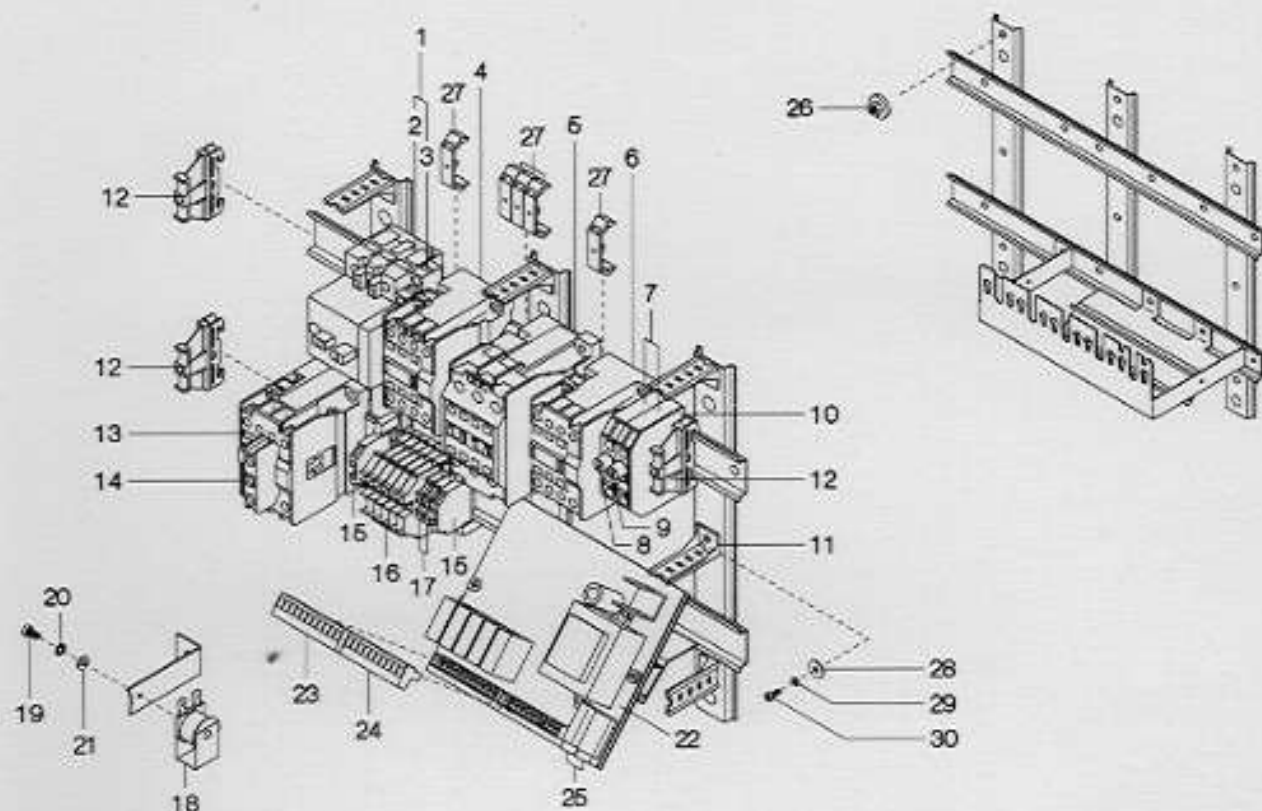
Component Group	Page	Edition	applicable from Serial No.
2	2.1	2.1.3	101 8910 4001



Pos.	Pcs.	Sp.	Part No.	Description	Sign	Pos.	Pcs.	Sp.	Part No.	Description	Sign
1	1		3006.0101	alarm buzzer	T1	27	2		4001.1177	terminal block	
2	1		3014.0113	solid state steam controller	P2	28	2		1104.2160	hex head tapping screw B4,2	
3	6		4001.1203	end plate							
4	1		3028.0101	contactor for hot air heating	K2	29	1		3035.0514	RC-link	C1
5	2		3028.0151	auxiliary contact for contactor							
6	3		4001.1174	distance block							
7	1		3028.0101	contactor for steam generator heating	K3					from 10190011018: 3028.0117	
8	2		4001.1252	terminal block blue 35 mm ²							
9	1		4001.1220	connecting angle for 35 mm ²							
10	1		3002.0400	level-control pcb	A1						
11	1		3019.0130	fuse 0,315 A	F5						
12	1		3019.0110	fuse 0,1 A	F6						
13	1		3031.0101	motor protector with auxiliary contact	F3						
14	-		3031.0105	motor protector							
15	-		3031.0102	auxiliary contact for motor protector F3							
16	1		3028.0100	contactor for motor	K1						
17	1		3035.0404	time relay 1 sec. start delay	K4						
18	2		4001.1228	fuse holder	F1,F2						
19	1		3019.0200	fuse 6,3 A	F1						
20	1		3019.0400	fuse 0,5 A	F2						
21	1		4001.1227	Abschlußplatte							
22	9		4001.1176	terminal block							
23	4		2020.0400	cable holder							
24	4		1105.0122	hex-combi-nut M5							
25	2		1304.0150	washer A3,2							
26	2		1103.0120	hex nut M3							

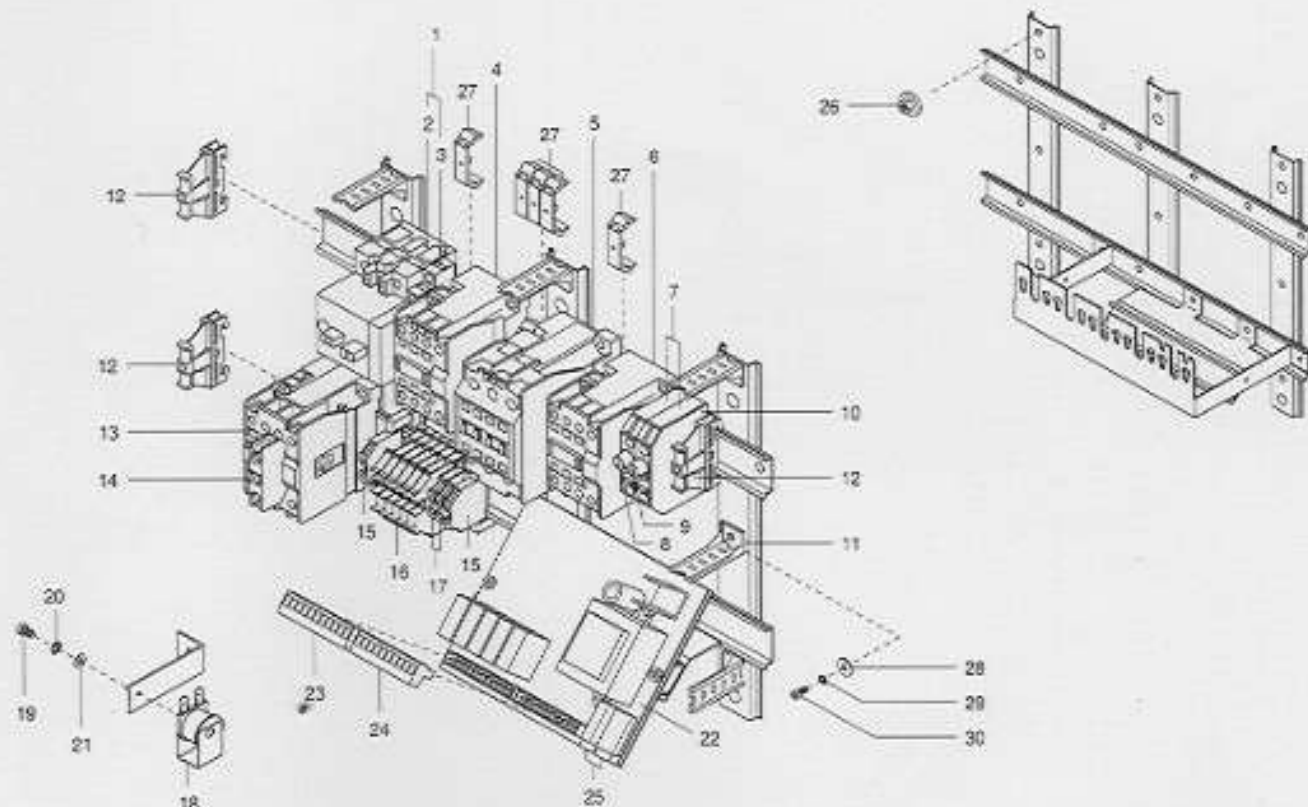
Electrical Installation

Voltage	Group	Page	Edition	Application from Serial. No.
3 N AC 380V 50Hz	2	2.1	2.1.4	10191042001



Pos.	Pcs.	Sp.	Part No.	Description	Sign.
1	1		3031.0101	motor protector opl.	F3
2	-		3031.0105	motor protector	
3	-		3031.0102	auxiliary contact for	
4	1		3028.0509	contactor hot air	K3
5	1		3028.0512	contactor steam generator	K4
6	1		3028.0508	main contactor	K1
7	2		4001.1128	fuse holder	F1,F2
8	1		3019.0200	fuse 6,3A	F1
9	1		3019.0400	fuse 0,5A	F2
10	1		4001.1227	cover for fuse holder	
11	5		2020.0400	terminal block	
12	3		4001.1203	end plate	
13	1		3028.0506	motor contactor	K2
14	1		3028.0156	auxiliary contact for K2	
15	2		4001.1222	terminal block	
16	6		4001.1176	yellow/green 4mm ²	
17	2		4001.1216	terminal block plug type	
18	1		3006.0101	alarm buzzer	T1
19	1		1002.0120	screw M3x10	
20	1		1203.0120	toothed lock washer A3,2	
21	1		1304.0150	washer A3,2	
22	1		3002.0400	level control pcb	A1
23	1		3040.0193	multipoint connector BL11	
24	1		3040.0192	multipoint connector BL10	
25	2		3019.0130	fuse 0,315A	F6,F7
26	4		1006.0801	hex combi nut M6	
27	5		4001.1174	distance block	
28	7		1304.0160	washer A4,3	
29	7		1203.0120	toothed lock washer A4,3	
30	7		1004.0660	hex socket head screw M4x10	

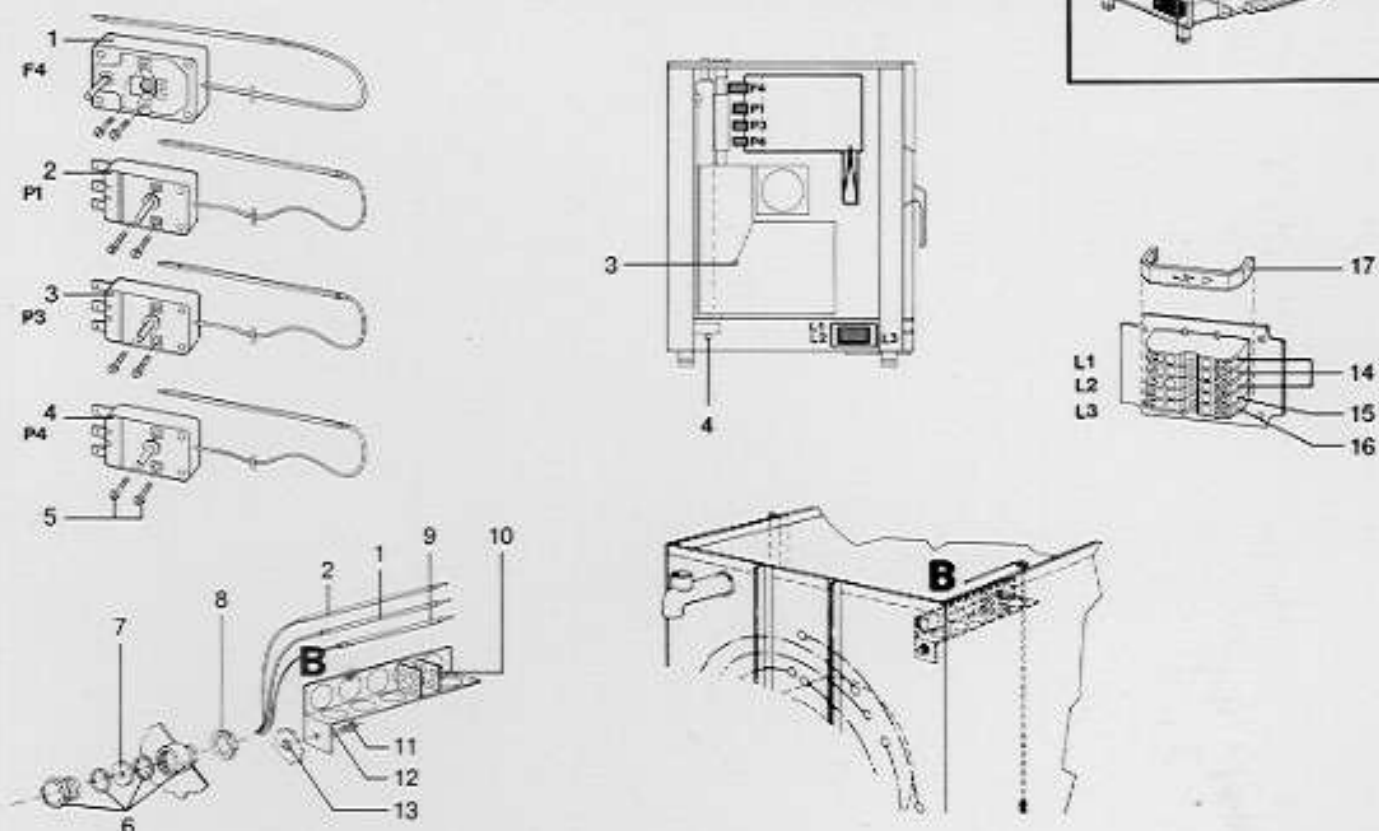
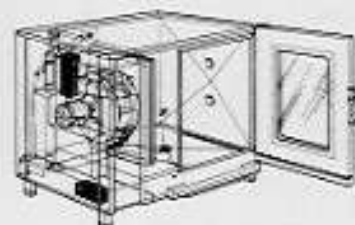
Elektromontageplatte Electrical installation	Spannung Voltage	Baugruppe Group	Ausgabe Edition	gültig ab Seriennummer Applicable from Serial.No.
	3 N AC 400V 50Hz	2	2.1.5	10196011001



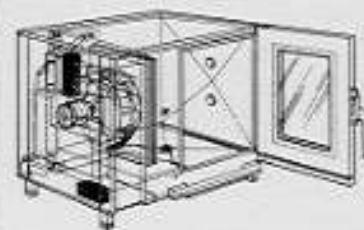
Pos.	St.	Ersatz.Nr.	Bezeichnung	Description
Pos.	Pcs.	Sp. Part No.		
1	1	3031.0101	Motorschutzschalter 1-1,6A kpl.	Motor protector 1-1.6A, with auxiliary contact
2	-	3031.0105	Motorschutzschalter PKZ M 1-1,6A	Motor protector PKZM 1-1.6A
3	-	3031.0102	Hilfskontakt NHi 10 für PKZ	Auxiliary contact for motor protector NHi 10
4	1	3028.0509	Schütz LS 17.01 200-240V 50/60Hz	Contacteur LS 17.01 200-240V 50/60Hz
5	1	3028.0512	Schütz LS 37.00 200-240V 50/60Hz	Contacteur LS 37.00 200-240V 50/60Hz
6	1	3028.0508	Schütz LS 17.10 200-240V 50/60Hz	Contacteur LS 17.10 200-240V 50/60Hz
7	2	4001.1228	Reihen-Sicherungsklemme	Fuse holder terminal block
8	1	3019.0200	Feinsicherung 5x20 6,3A	Fuse 6,3A
9	1	3019.0400	Feinsicherung 5x20 0,5A	Fuse 0,5A
10	1	4001.1227	Endplatte für Reihen-Sicherungsklemme	End plate for fuse holder
11	5	2020.0400	Kabelstammhalter kurz	Cable assy holder short
12	3	4001.1203	Endklammer für Tragschiene	End plate for mounting rail
13	1	3028.0506	Schütz LS 04.10 200-240V 50/60Hz	Contacteur LS 04.10 200-240V 50/60 Hz
14	1	3028.0156	Hilfskontakt HS 17.01 Öffner	Auxiliary contact HS 17.01
15	1	4001.1222	Erdungsklemme 4qmm	Terminal block yellow/green 4 qmm
16	6	4001.1176	Reihenverteiler	Terminal block plug type
17	1	4001.1216	Reihenklemme 4qmm grau	Terminal 4sqmm grey
18	1	3006.0101	Alarmsummer, 230 V	Buzzer, 230 V
19	1	1003.0020	Flachkopfschraube M 3x10	Slotted pan head screw M3x10
20	1	1203.0120	Zahnscheibe A3,2	Toothed lock washer A3,2
21	1	1304.0150	Unterlegscheibe A3,2	Washer A3,2
22	1	3002.0408	Regelplatte Wasserstand 220V 50/60Hz	Level control pcb for steam-generator
23	2	3040.0193	Steckerleiste BL11 Platine Wasserstand	Multipoint connector BL11 for water level PCB
24	1	3040.0192	Steckerleiste BL 10 Platine Wasserstand	Multipoint connector BL10 for water level PCB
25	2	3019.0135	Feinsicherung 5x20 0,315A	Fuse 0,315 A
26	4	1106.0801	Sechskant-Combi-Mutter M6	Hex combination nut M6
27	5	4001.1174	Schinenträger	Distance block
28	7	1304.0160	Unterlegscheibe A4,3 DIN125	Washer A4,3 DIN125
29	7	1204.0120	Zahnscheibe A4,3	Toothed lock washer A4,3
30	7	1004.0660	Zylinderschraube mit Innensechskant M4x10	Hex socket head screw M4x10

Electrical Installation

Component Group	Page	Edition	applicable from Serial No.
2	2.2	2.2.1	10186 061757

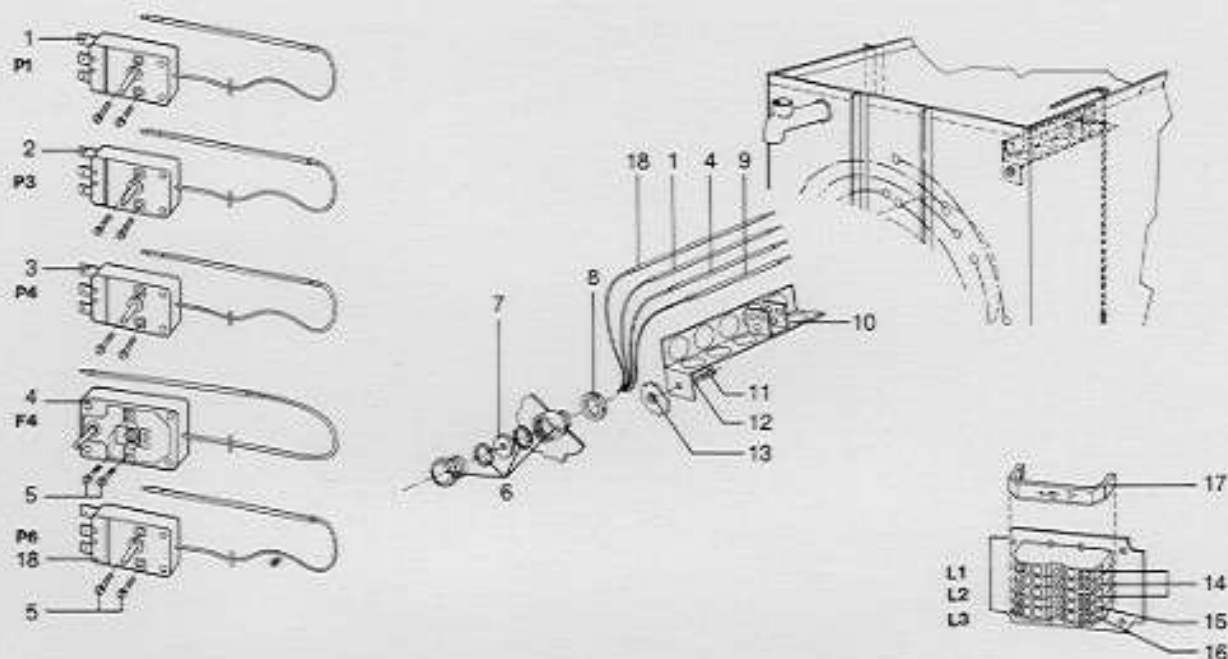


Pos.	Pcs.	Sp.	Part No.	Description	Sign
1	1		3014.0310	bi-limit safety thermostat	F4
2	1		3014.0311	thermostat "unit too hot"	P1
3	1		3014.0314	thermostat steam generator	P3
4	1		3014.0312	thermostat quenching system	P4
5	8		1004.0060	slotted pan head screw M 4x4	
6	1		4007.0600	cable connection PG9	
7	1		2022.0100	gasket	
8	1		4007.0601	lock nut for cable connection	
9	1		3014.0318	thermostat hot air heating	P5
10	1		8430.7002	holder for thermostat complete	
11	1		1004.0660	hex socket head cap screw M 4x10	
12	1		1204.0120	toothed lock washer A 4,3	
13	1		1104.0400	rivet nut M4	
14	3		4001.1209	terminal block grey 16 mm ²	
15	1		4001.1250	terminal block blue 16 mm ²	
16	1		4001.1210	ground terminal block yellow/green 16 mm ²	
17	1		4001.1213	cover	



Electrical Installation

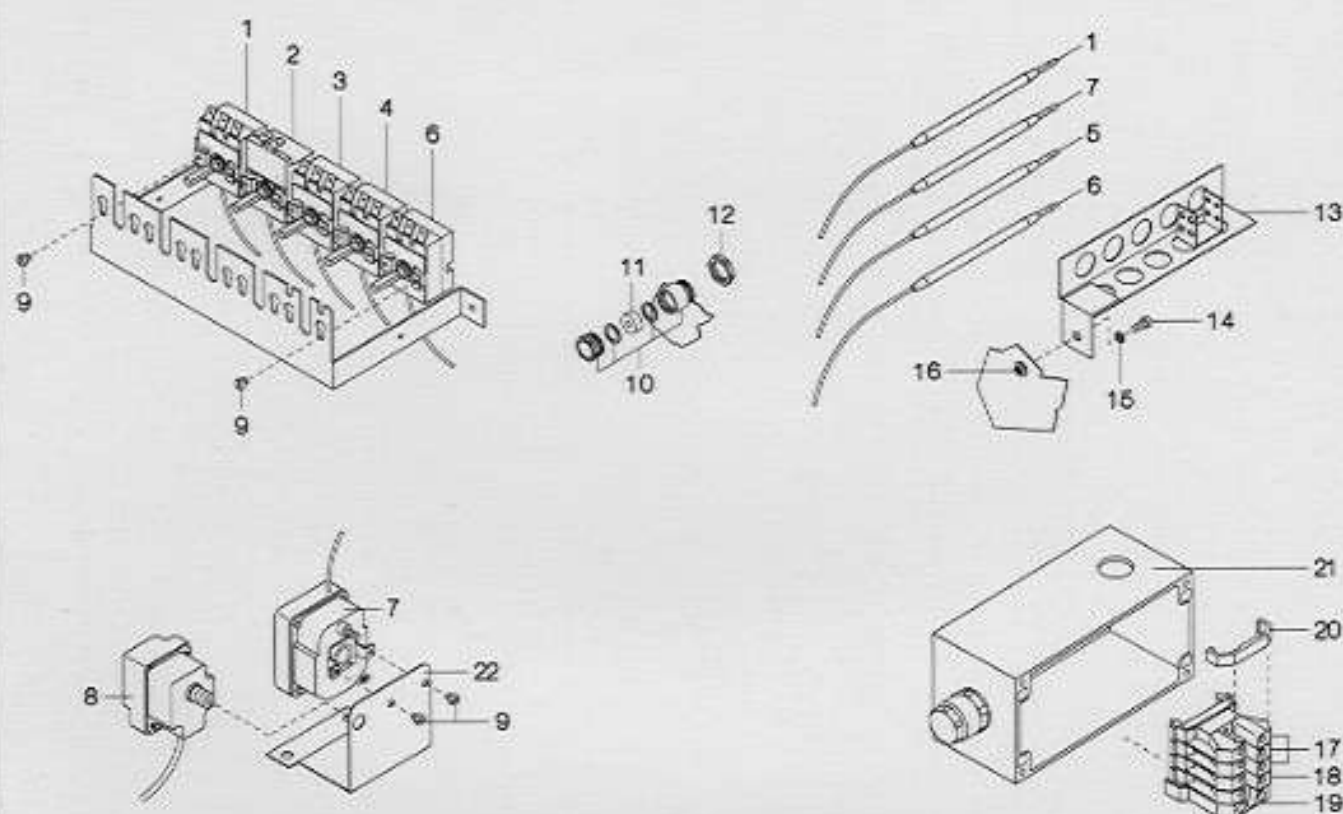
Component Group	Page	Edition	applicable from Serial No.
2	2.2	2.2.2	101 89 10 4001



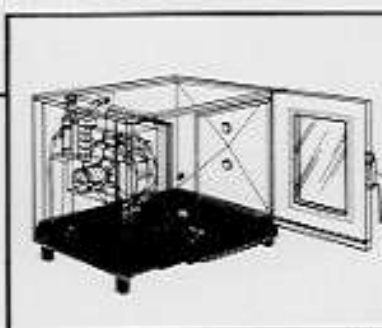
Pos.	Pcs.	Sp.	Part No.	Description	Sign
1	1		3014.0311	thermostat „unit too hot“	P1
2	1		3014.0314	thermostat steam generator	P3
3	1		3014.0312	thermostat quenching system	P4
4	1		3014.0310	bi-limit safety thermostat	F4
5	10		1004.0060	slotted pan head screw M 4x4	
6	1		4007.0600	terminal block	
7	1		2022.0100	gasket	
8	1		4007.0601	lock nut for cable connection	
9	1		3014.0318	thermostat hot air heating	P5
10	1		8430.7002	holder for thermostat complete	
11	1		1004.0660	hex socket head cap screw M 4x10	
12	1		1204.0120	toothed lock washer A4,3	
13	1		1104.0400	rivet nut M4	
14	3		4001.1209	terminal block grey 16 mm ²	
15	1		4001.1250	terminal block blue 16 mm ²	
16	1		4001.1210	ground terminal block yellow/green 16 mm ²	
17	4		4001.1213	cover	
18	1		3014.0311	thermostat int. cab. protection	P6

Electrical Installation

Voltage	Group	Page	Edition	Application from Serial. No.
3 N AC 380V 50Hz	2	2.2	2.2.3	10191042001

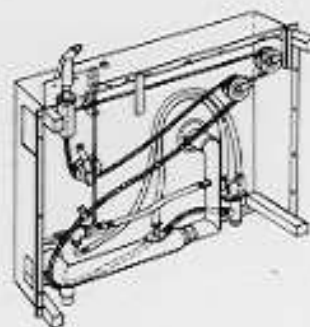
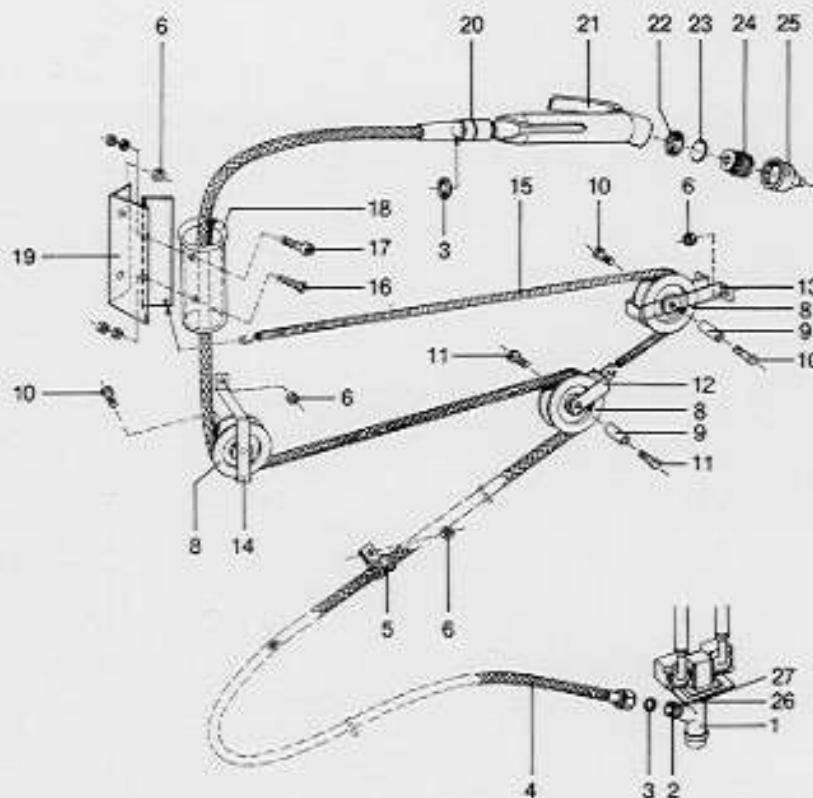


Pos.	Pcs.	Sp.	Part No.	Description	Sign.
1	1		3014.0311	thermostat unit too hot	P1
2	1		3014.0155	thermostat bypass	P2
3	1		3014.0314	thermostat preheating steam generator	P3
4	1		3014.0312	thermostat quenching system	P4
5	1		3014.0318	thermostat hot air heating	P5
6	1		3014.0311	thermostat int.cab.protection	P6
7	1		3014.0310	bi-limit safety thermostat	F4
8	1		3014.0300	dry up protector	F5
9	12		1004.0060	slotted pan head screw M4x4	
10	1		4007.0600	cable connection PG9	
11			2022.0100	gasket	
12	1		4007.0601	lock nut PG9	
13	1		8430.7002	holder for thermostat cpl.	
14	1		1004.0660	hex socket head screw M4x10	
15	1		1204.0120	toothed lock washer A4,3	
16	1		1104.0400	rivet nut M4	
17	3		4001.1202	terminal block 16mm ² grey	
18	1		4001.1250	terminal block 16mm ² blue	
19	1		4001.1210	terminal block yellow /green 16mm ²	
20	4		4001.1213	cover for terminal block 16mm ²	
21	1		3038.0200	terminal box	
22	1		2520.311089	holding angle	



Bottom (Hand Shower)

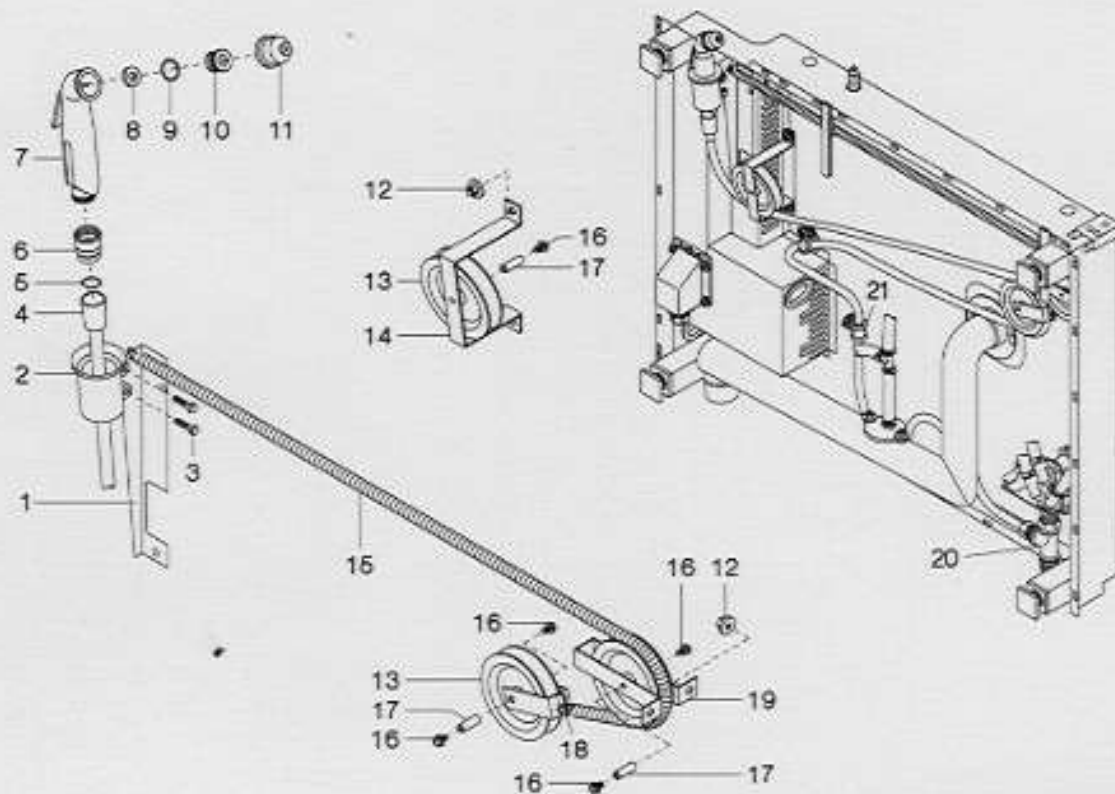
Component Group	Page	Edition	applicable from Serial No.
10	10.2	10.2.1	10189041295



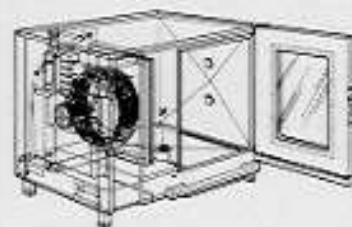
Pos.	Pcs.	Sp. Part No.	Description	Sign	Pos.	Pcs.	Sp. Part No.	Description	Sign
1	1	2036.0501	T-fitting 1/2"		-	1	8630.0105	holder 2 complete (pos. 8,10,14)	
2	1	2062.0103	reducing nipple						
3	2	5012.0536	gasket						
4	1	2067.0600	shower hose with gasket						
5	1	2066.0510	hose clip						
6	7	1106.0801	hex combi nut						
8	3	2060.0112	hose reel						
9	2	2060.0115	axle						
10	3	1005.2000	ratchet safety screw M 5x8						
11	5	1005.0126	countersunk head screw M 5x6						
12	1	8060.0103	bow, welded						
13	1	2510.640687	holder 3						
14	1	8630.0101	holder 2, welded						
15	1	2002.0400	tension spring						
16	1	1004.0430	hex screw M 4x16						
17	1	1004.0664	hex socket head cap screw M 4x16						
18	1	2060.0111	tulip					from 10189092256: 2060.0116	
19	1	2510.590742	holder 1					from 10189092256: 2510.590845	
20	1	2060.0110	revolving joint						
21	1	2060.0100	hand shower with guide complete						
22	1	2060.0218	gasket for hand shower						
23	1	2060.0217	O-ring gasket						
24	1	2060.0216	head screw						
25	1	2060.0215	mouthpiece						
26	1	2036.0101	reducing nipple 1/2"x3/4"						
27	1	5012.0529	gasket						
-	1	8630.0108	bow complete						
-	1	8630.0106	holder 3 complete (pos. 8,9,10,13)						

Bottom (Hand Shower)

Voltage	Group	Page	Edition	Application from Serial. No.
3 N AC 380V 50Hz	10	10.2	10.2.2	10192051317

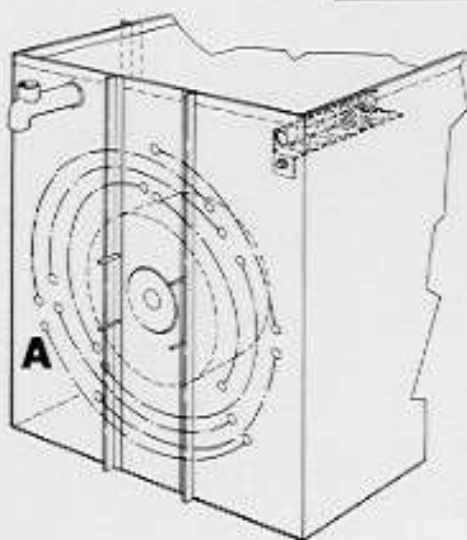
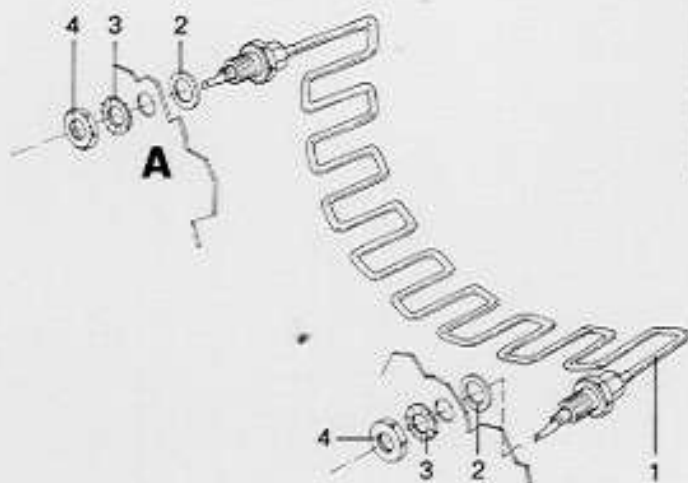


Pos.	Pcs.	Sp.	Part No.	Description	Sign.
-	1		8630.0120	holder 2 cpl. (pos. 13,14,16,17)	
-	1		8630.0105	holder 3 cpl. (pos. 13,16,17,19)	
-	1		8630.0108	bow cpl. (pos. 13,16,17,18)	
1	1		2510.591415	holder for tulip	
2	1		2060.0121	tulip	
3	2		1008.0751	hex cap screw M5x25	
4	1		2067.0600	shower hose	
5	2		5012.0536	gasket for shower hose	
6	1		2060.0110	revolving joint	
7	1		2060.0100	hand shower cpl. (incl. pos. 8,9,10,11)	
8	1		2060.0218	gasket	
9	1		2060.0217	O-ring	
10	1		2060.0216	head screw	
11	1		2060.0215	mouthpiece	
12	9		1106.0801	hex-combi-nut M6	
13	3		2060.0112	hose reel	
14	1		8630.0121	holder 2	
15	1		2002.0400	tension spring	
16	5		1005.2000	safety screw M5x8	
17	2		2060.0115	axle	
18	1		8630.0103	bow	
19	1		2510.640687	holder 3	
20	1		8630.0109	T-connection piece cpl.	
21	2		2066.0510	hose clamp	



Hot Air Heating

Component Group	Page	Edition	applicable from Serial No.
5	5.1	5.1.1	10186 061757

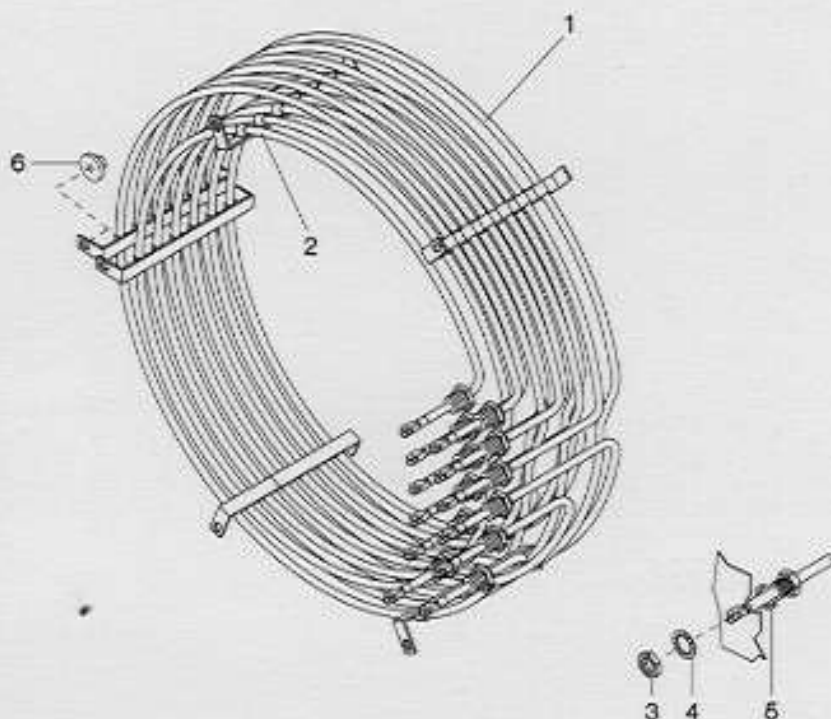


Pos.	Pcs.	Sp. Part No.	Description	Sign
1	9	3004.1403	heating element 2 kW	
2	18	3004.1404	copper washer	
3	18	3004.1405	toothed lock washer	
4	18	3004.1406	hex nut M14	

Note: heating elements are delivered with positions 2,3 and 4.

Hot Air Heating

Voltage	Group	Page	Edition	Application from Serial. No.
3 N AC 380V 50Hz	5	5.1	5.1.2	10191042001

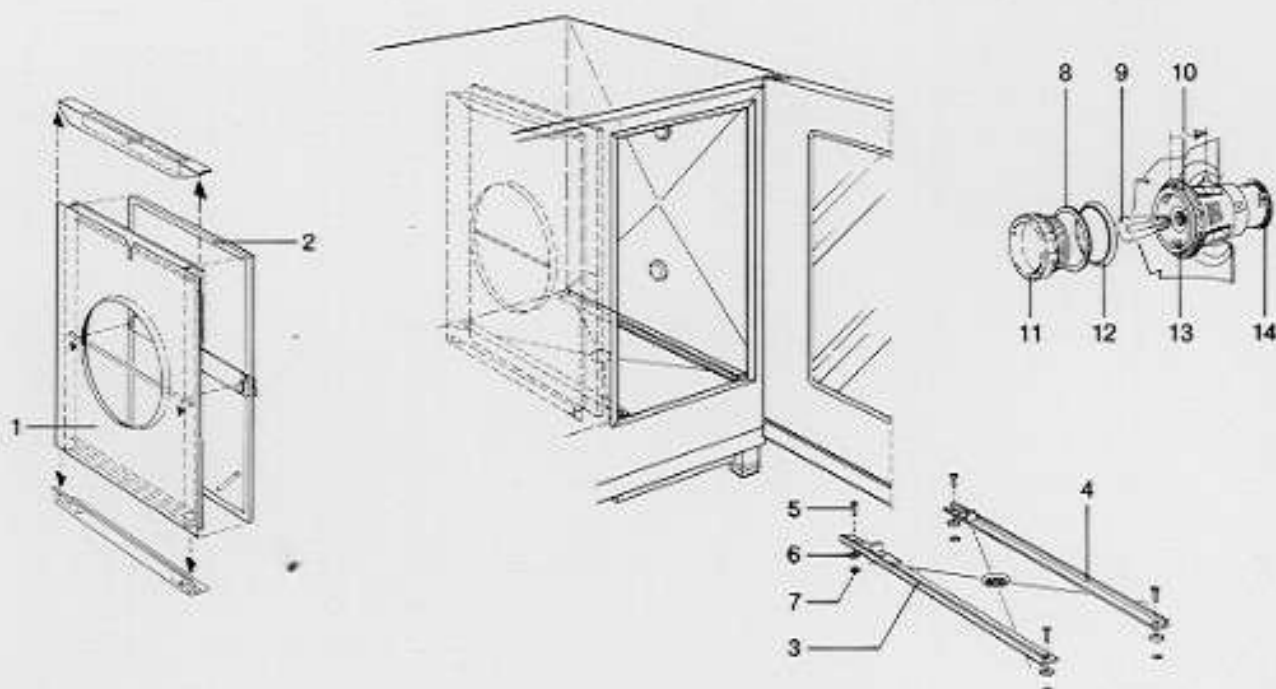


Pos.	Pcs.	Sp.	Part No.	Description	Sign.
-	1		3004.3519	heating assembly cpl.	
1	1		3004.3528	heating assembly outer ring	
2	1		3004.3529	heating assembly inner ring	
3	12		3004.1406	hex nut M14	
4	12		3004.1405	toothed lock washer	
5	12		3004.1404	copper washer	
6	6		1106.0801	hex-combi-nut M6	



Interior Cabinet

Component Group	Page	Edition	applicable from Serial No.
7	7.1	7.1.1	10186 061757

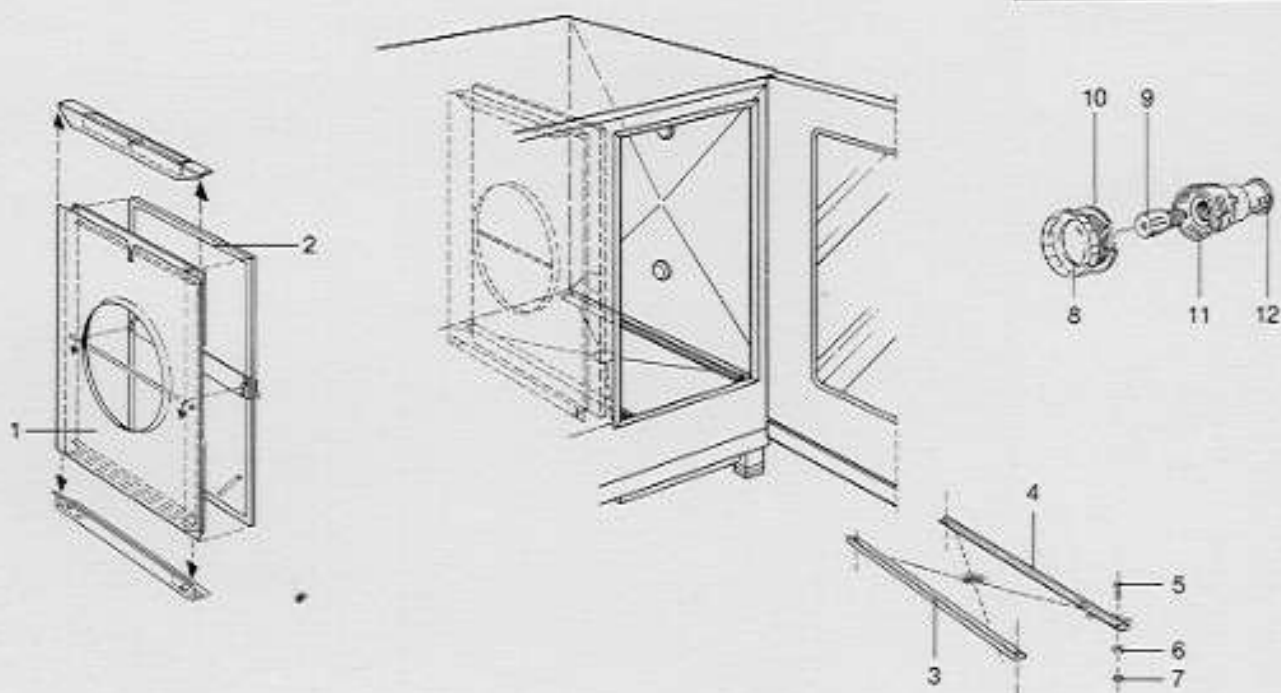


Pos.	Pcs.	Sp.	Part No.	Description	Sign
-	2		3023.0501	interior lamp complete	
1	1		8007.1000	air baffle	
1	1		8011.1003	air baffle (with core temperature)	
2	1		2010.0700	fat filter	
2	1		2010.0701	fat filter (with core temperature)	
3	1		8400.0150	rail left	
4	1		8400.0151	rail right	
5	4		1005.0462	countersunk screw with slot M 5 x25	
6	4		2031.1000	spacer	
7	4		1105.0400	rivet nut M5	
8	1		5012.0509	gasket lamp lens	
9	2		3024.0200	bulb, heat-resistant	
10	1		5012.0508	gasket for lamp socket	
11	2		3025.0002	lamp lens	
12	2		3025.0003	metal ring	
13	2		3023.0502	socket for interior lamp	H1, H2
14	2		5012.0514	insulation paper	



Interior Cabinet

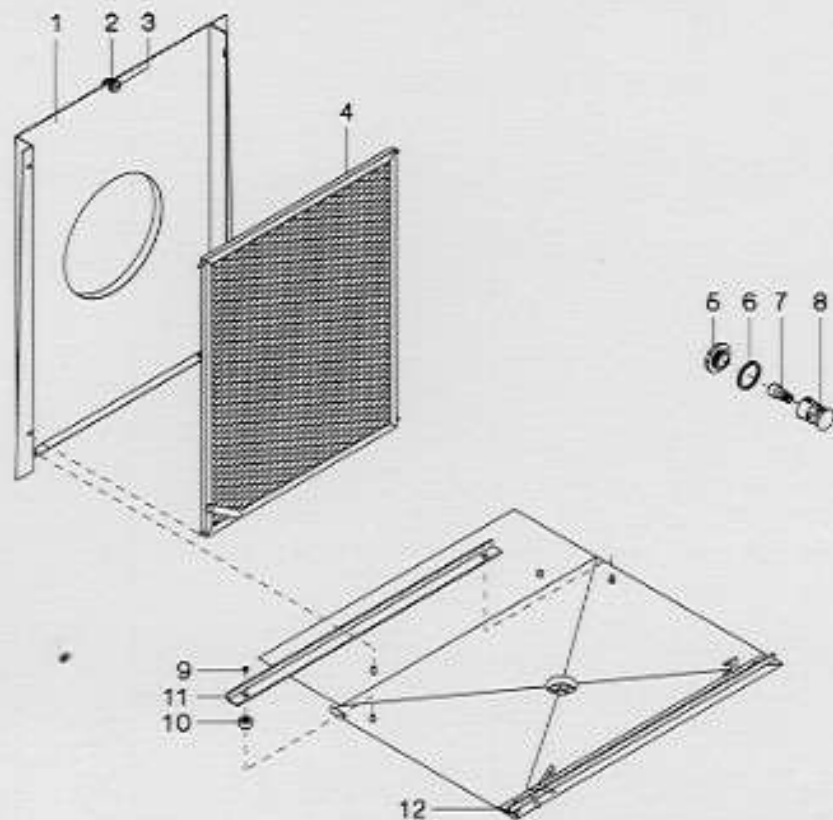
Component Group	Page	Edition	applicable from Serial No.
7	7.1	7.1.2	101 87 02 1194



Pos.	Pcs.	Sp.	Part No.	Description	Sign
-	2		3023.0501	interior lamp complete	
1	1		8011.1003	air baffle	
2	1		2010.0701	fat filter	
3	1		8400.0150	rail left	from 10188122695: 8400.0160
4	1		8400.0151	rail right	from 10188122695: 8400.0162
5	4		1005.0467	countersunk screw with slot M 5x8	
6	4		2031.1000	spacer	
7	4		1410.0100	female plug	
8	1		3025.0002	lamp lens	
9	2		3024.0200	bulb, heat-resistant	
10	2		5012.0535	gasket for lamp socket	
11	2		3023.0502	socket for interior lamp	H1,H2
12	2		2580.980589	insulation paper	

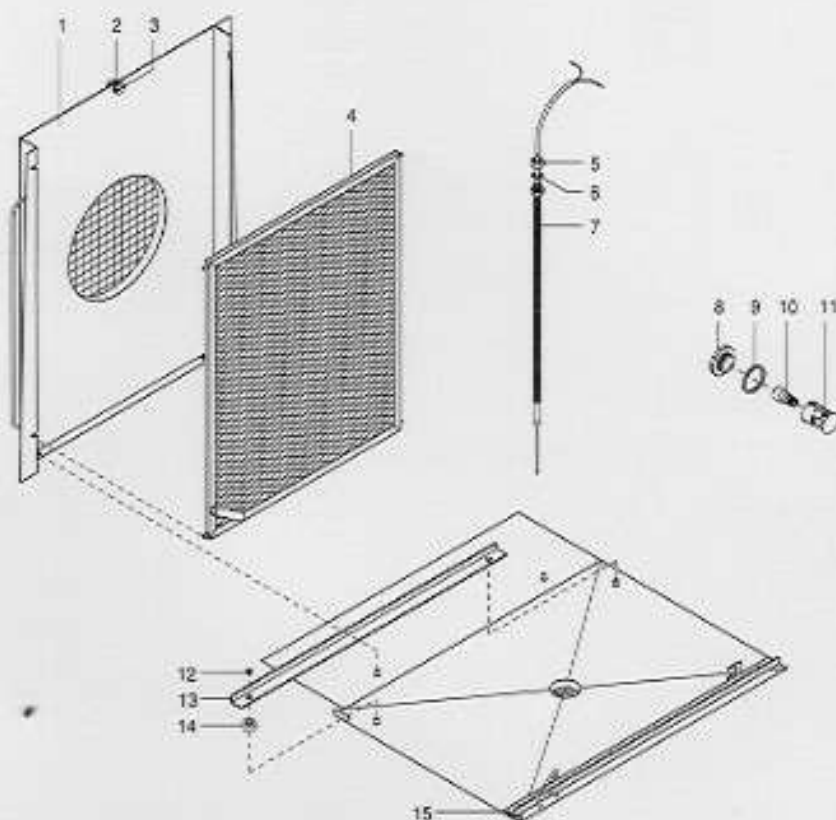
Interior Cabinet

Voltage	Group	Page	Edition	Application from Serial. No.
3 N AC 380V 50Hz	7	7.1	7.1.3	10191042001



Pos.Pcs.	Sp.	Part No.	Description	Sign.
-	2	3023.0501	interior lamp cpl.	
1	1	8011.1111	air baffle cpl.	
2	1	2043.0203	holder plate for quick acting closure	
3	1	2043.0201	locking pin	
4	1	2010.0906	fat filter	
5	2	3025.0002	lamp lens	
6	2	5012.0535	gasket	
7	2	3024.0200	bulb, heat resistant	
8	2	3023.0506	socket for interior lamp	H1,H2
9	4	1005.0467	countersunk screw with slot M5x8	
10	4	2031.1000	spacer	
11	1	8400.0160	rail left	
12	1	8400.0162	rail right	

Garraum	Spannung	Baugruppe	Ausgabe	gültig ab Seriennummer
Interior cabinett	Voltage	Group	Edition	Applicable from Serial.No.
	3 N AC 400V 50Hz	7	7.1.4	10196011001

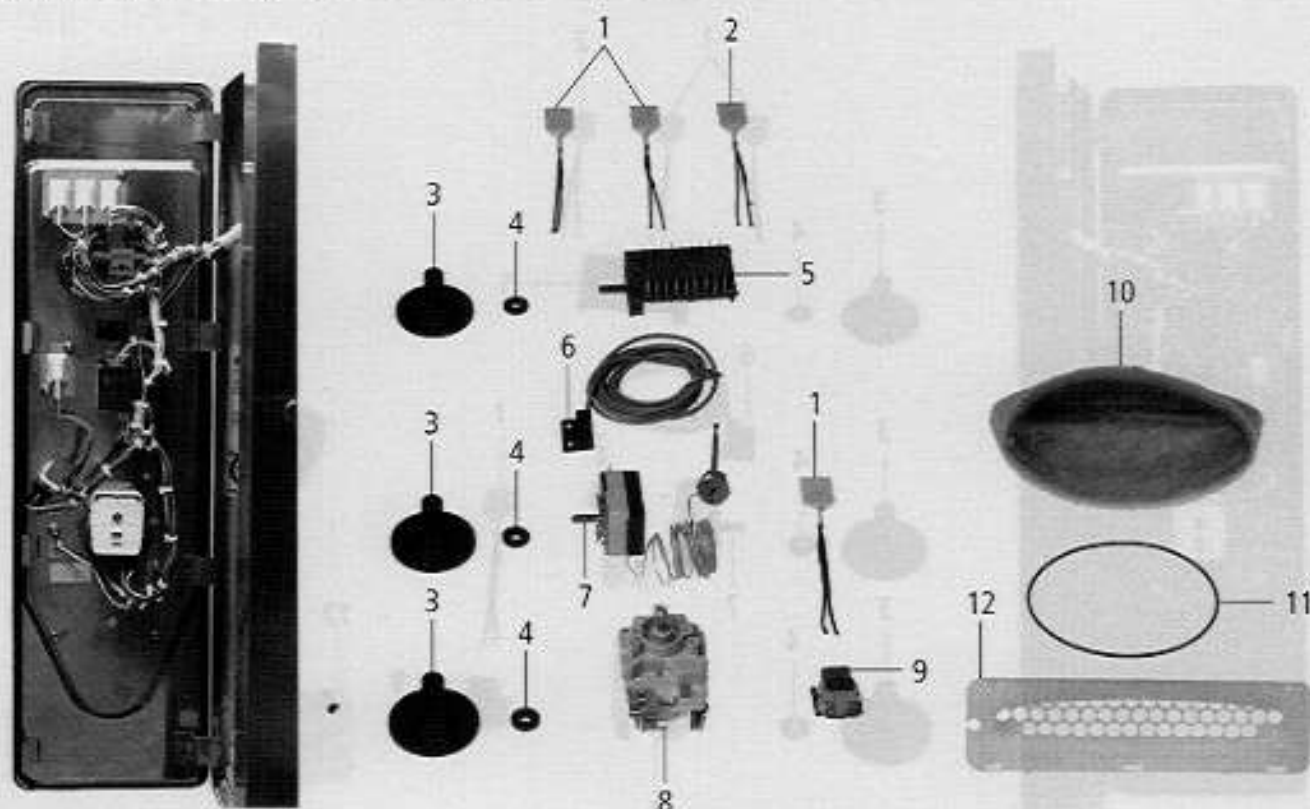


Pos.	St.	Ersatzl.Nr.	Bezeichnung	Description
Pos.	Pcs.	Sp. Part No.		
-	1	3023.0501	Garraumbeleuchtung kpl.	Interior lamp cpl.
1	1	8011.1104	Trichterblech kpl.	Air baffle cpl.
2	1	2043.0203	Haltescheibe Luftleitblech	Holder plate air baffle
3	1	2043.0201	Verschlußbolzen Luftleitblech	Locking pin air baffle
4	1	2010.0906	Fettfilter Typ 101	Fat filter type 101
5	1	1112.0160	Sechskantmutter M12	Hex nut M12
6	1	3035.0606	Kupferdichtung für Einstechfühler	Copper gasket for meat probe sensor
7	1	3035.0607	Einstechfühler Typ 101	Meat probe sensor type 101
8	2	3025.0002	Lampenglas Garraumbeleuchtung	Lamp lens
9	2	5012.0535	Dichtring Garraumbeleuchtung	Gasket lamp lens
10	2	3024.0200	Glühlampe hitzebeständig 200-240V	Bulb-heat resistant 200-240V
11	2	3023.0506	Lampenfassung Garraumbeleuchtung	Socket for interior lamp
12	4	1005.0467	Senkschraube mit Schlitz M5x8	Slotted countersunk screw M5x8
13	1	8400.0160	Führungsschiene links	Rail left
14	4	2031.1000	Distanzscheibe für HGW-Führungsschiene	Spacer for mobile oven rack guide rail
15	1	8400.0162	Führungsschiene rechts	Rail right

Bedienblende / Control panel

 Spannung / Voltage: **3 N AC 400V 50Hz**

 Baugruppe / Group: **1** Ausgabe / Edition: **1.1.1**

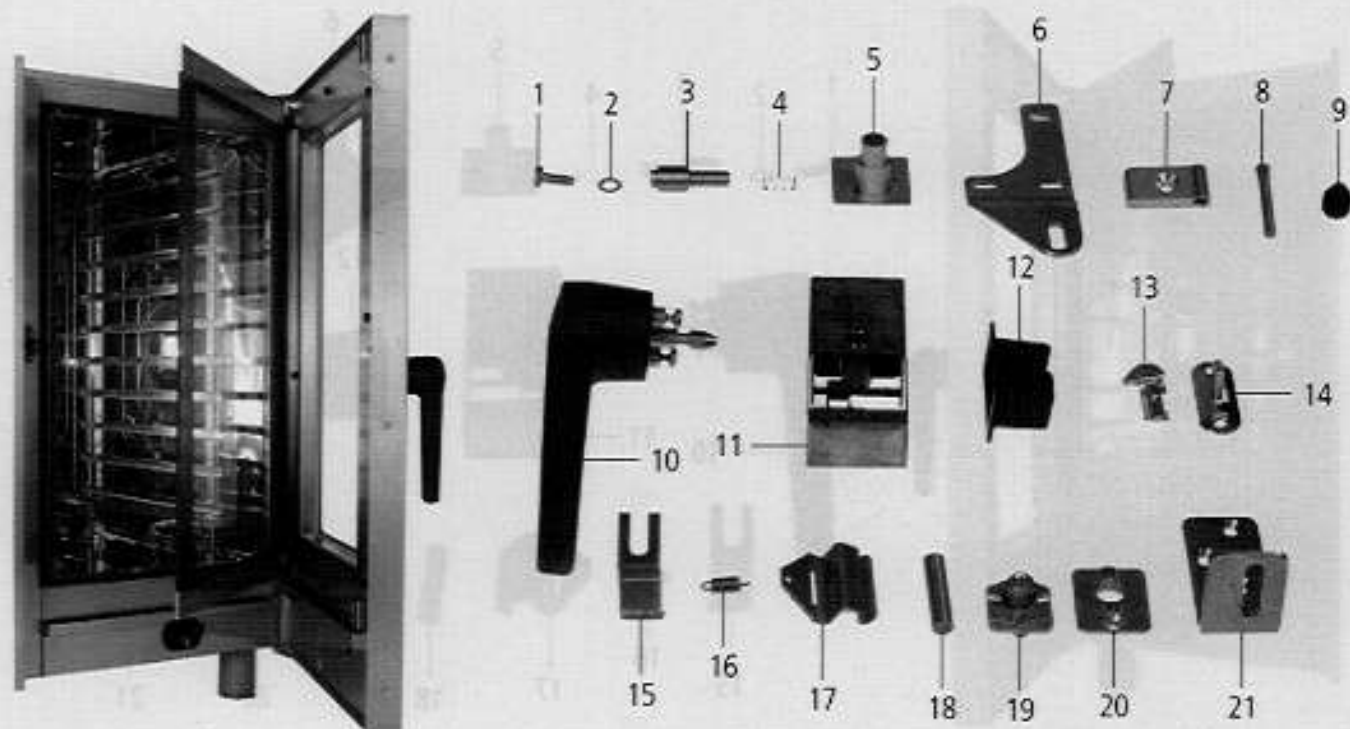
 Gültig ab Seriennummer / Applicable from serial no.: **E11DA97061001**


Pos.	St.	Ersatzteil Nr.	Bezeichnung	Description	Bez. Sign.
Pos.	Pcs.	Spare part no.			
1	3	3024.0310	Signallampe rot	Control lamp red	H2,4,5
2	1	3024.0309	Signallampe grün	Control lamp green	H3
3	3	3013.0344	Knebel	Dial	
4	3	5110.1027	Distanzscheibe	Distance plate	
5	1	3016.1613	Betriebsartenschalter	Mode switch block	S1
6	1	3016.1415	Türkontaktschalter	Door contact switch	
-	2	1103.0600	Spreizmutter 2mm	Expansion nut 2mm	
-	2	1304.0150	Unterlegscheibe A3,2	Washer A3,2	
-	2	1003.2160	Sechskant Blechschraube A2,9x9,5	Hex self-tapping screw A2,9x9,5	
7	1	3014.0166	Thermostat Heißluft	Thermostat hot air/ unit too hot	P1
8	1	3013.0104	Zeitschaltuhr 120min. 50Hz	Timer 120 min. 50Hz	S2
9	1	3006.0101	Alarmsummer	Alarm buzzer	T2
10	1	5214.1300	Luftfilter Bedienblende	Air inlet filter control panel	
11	1	5012.0565	O-Ring Luftfiltereinsatz	O-Ring air inlet filter control panel	
12	1	2039.0337	Filterträger Bedienblende	Filter support control panel	
-	1	5100.1011	Dichtung für Blendeneinsatz	Gasket frame for panel	

Gerätetür / Door

 Spannung / Voltage: **3 N AC 400V 50Hz**

 Baugruppe / Group: **8** Ausgabe / Edition: **8.1.1**

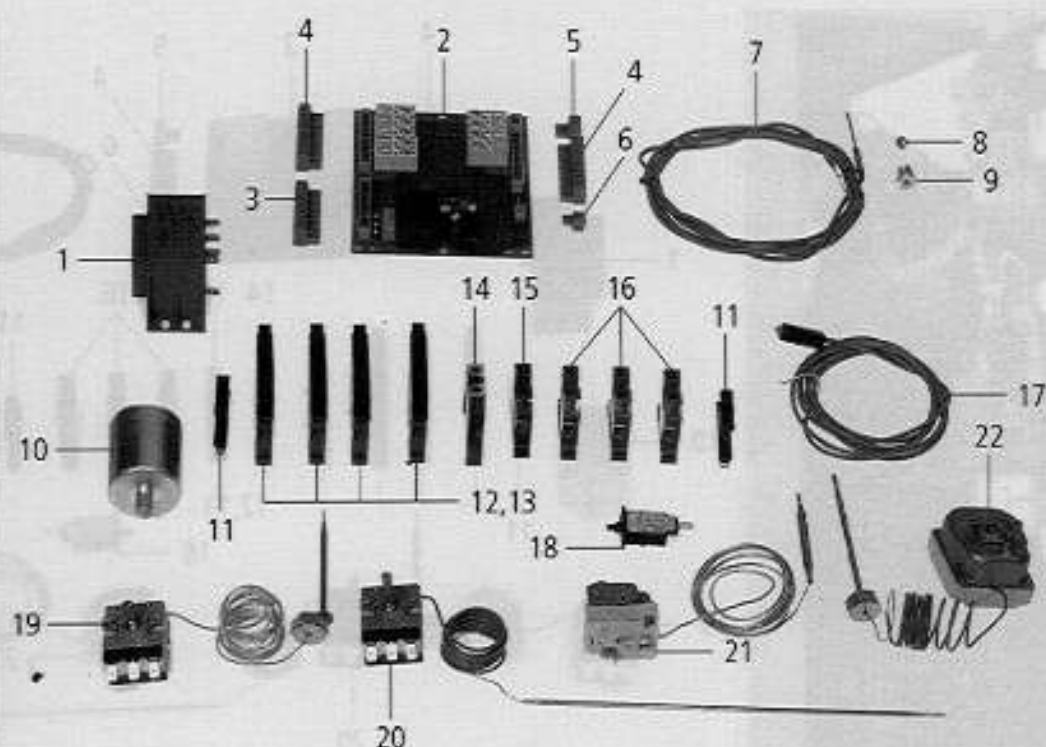
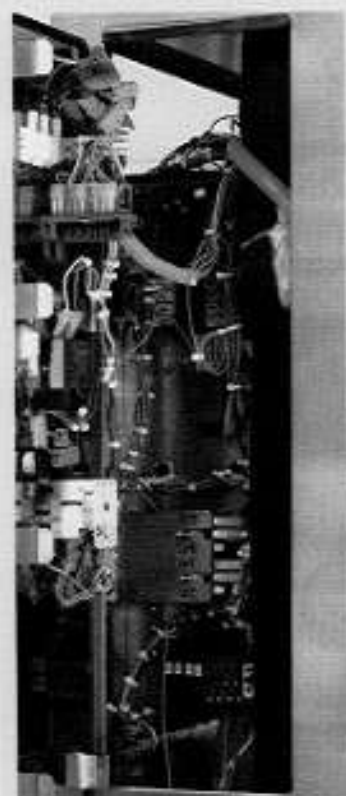
 Gültig ab Seriennummer / Applicable from serial. no.: **E11DA97061001**


Pos.	St.	Ersatzteil Nr.	Bezeichnung	Description	Bez. Sign.
Pos.	Pcs.	Spare part no.			
-	1	8470.1301	Türe kpl.	Door cpl.	
-	1	8474.1337	Innenglasscheibe kpl.	Internal glass cpl.	
-	1	5105.1021	Garraumdichtung	Door gasket	
1	1	1006.0761	Sechskantschraube M 6x12	Hexagonal screw M 6x12	
2	1	1306.0120	Unterlegscheibe A6,4	Washer A6.4	
3	1	2120.1254	Achszapfen Tür oben	Door bolt top	
4	1	2001.0118	Druckfeder oberer Türhaltebolzen	Compression spring upper door bolt	
5	1	2940.1300	Achshülse Tür oben	Sleeve for door bolt top	
6	1	2939.1307	Türhaltewinkel oben	Door holding angle top	
-	3	1008.0200	Linsenkopfschraube mit Innensechskant	Raised countersunk allen screw M8x16	
7	1	2940.1309	Scharnier für Innenscheibe	Hinge for inner glass	
-	2	1005.1960	Senkschraube mit Innensechskant M5x16	Hex socket countersunk head screw M5x16	
8	1	2120.1258	Rändelbolzen für Türhaltescharnier	Knurled bolt for inner door hinge	
9	1	2039.0402	Puffer für Türe	Door buffer	
10	1	2016.1504	Türgriff	Door handle	
11	1	8474.1300	Verschluss kpl. für Tür	Lock for door handle cpl.	
12	1	2039.0319	Abdeckung f. Schloß Innenseite	Internal lock cover	
13	1	2940.1312	Kloben für Türe	Door catch	
-	1	1005.2000	Sperrzahnschraube M 5x8	Interlocking tooth screw M 5x8	
14	1	2940.1313	Klobenhalter für Türe	Base for door catch	
-	2	1006.0761	Sechskantschraube M 6x12	Hexagonal screw M 6x12	
15	1	2760.1396	Federhalter für Arretierung Innenglasscheibe	Spring support for interior glass holding bracket	
16	1	2002.0106	Zugfeder für Arretierung Innenglasscheibe	Tension spring for inner window	
17	1	2760.1395	Arretierung Innenglasscheibe	Holding bracket for interior glass	
18	1	3016.1409	Magnet rund Tischgeräte	Magnet round table models	
19	1	2940.1302	Rasthülse	Door setting bolt	
-	1	1008.0766	Sechskantschraube M8x30	Hexagonal screw M8x30	
20	1	2940.1303	Rastzapfen 110°	Stop bolt 110°	
-	1	1005.1960	Senkschraube mit Innensechskant M5x16	Hex socket countersunk head screw M5x16	
21	1	2930.1306	Türhaltewinkel unten	Door mounting support bottom	
-	3	1006.1960	Senkschraube mit Innensechskant M6x16	Hexagonal socket countersunk head screw M6x16	

Elektromontageplatte / Electrical Installation

 Spannung / Voltage: **3 N AC 400V 50Hz**

 Baugruppe / Group: **2** Ausgabe / Edition: **2.1.1**

 Gültig ab Seriennummer / Applicable from serial. no.: **E11DA97061001**


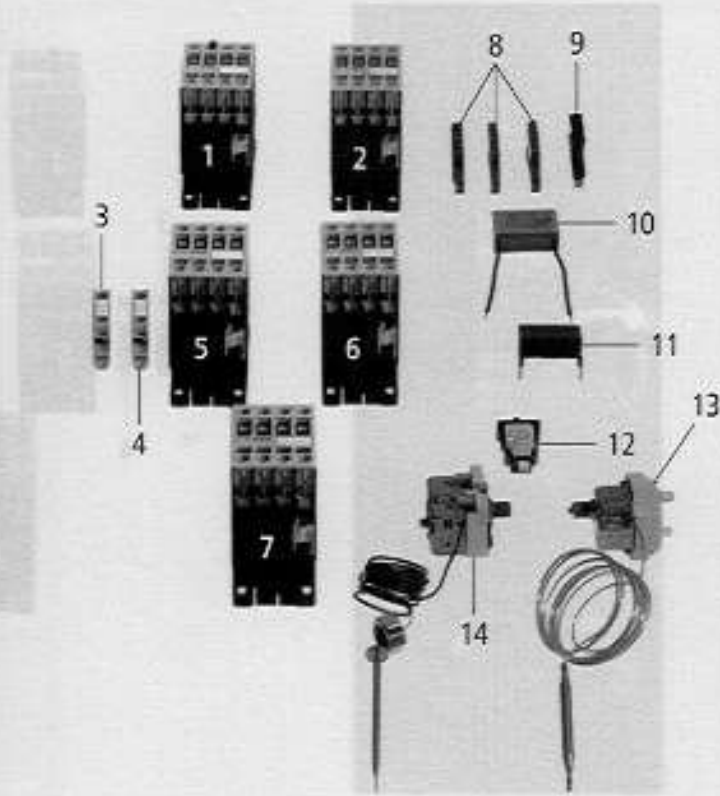
Pos.	St.	Ersatzteil Nr.	Bezeichnung	Description	Bez. Sign.
Pos.	Pcs.	Spare part no.			
1	1	3037.0205	Halogentrafo 10VA	Halogen transformer 10VA	T1
2	1	3040.3100	Steuerelektronik	Control PCB	A1
3	1	3040.0197	Steckerleiste BL 10	Multipoint connector BL 10	
4	2	3040.0198	Steckerleiste BL 11	Multipoint connector BL 11	
5	1	3040.0260	Steckerleiste 2polig, 5.08	Multipoint connector 2polig,5.08	
6	1	3040.0259	Steckerleiste 2polig 3.81	Multipoint connector 2polig,3.81	
7	1	3014.0161	Mantelthermoelement	Sheath thermo element	B1
8	1	3014.0162	Dichtkegel für Thermoelement	Sealing cone for thermo element	
9	1	3014.0163	Stopfbuchsnippel für Thermoelement	Gasket sleeve with nipple	
10	1	3001.0454	Entstörfilter	Electronic noise filter	Z1
11	2	4001.1203	Endklammer für Tragschiene	End plate for supporting rail	
12	4	4001.1283	Sicherungsklemme 4mm ²	Fuse holder terminal block 4mm ²	F1,F6
13	4	4001.0224	Sicherung 6.35x32mm, 6.3A träge	Fuse 6.35x32mm, 6.3A slow	F1,F6
14	1	4001.1210	Reihenklemme 16mm ² gelb/grün	Earth terminal 16mm ² yellow/green	
15	1	4001.1250	Reihenklemme 16mm ² blau	Terminal 16mm ² blue	
16	3	4001.1202	Reihenklemme 16mm ² grau	Terminal 16mm ² grey	
17	1	3016.1415	Türkontaktschalter	Door contact switch	S3
18	1	3014.0402	Überstromauslöser 1polig Motorschutz	Motor protector type 61-202	F3
19	1	3014.0166	Thermostat Heißluft/ Gerät zu heiß	Thermostat hot air/ unit too hot	P2
20	1	3014.0312	Thermostat Ablöschung	Thermostat for quenching	P4
21	1	3014.0300	Trockengehschutz 135°C	Dry up protector 135°C	F5
22	1	3014.0326	Sicherheitstemperaturbegrenzer 360°C	Safety temperature limiter 360°C	F4

Elektromontageplatte / Electrical Installation

Spannung / Voltage: **3 N AC 400V 50Hz**

Baugruppe / Group: **3** Ausgabe / Edition: **3.1.1**

Gültig ab Seriennummer / Applicable from serial. no.: **E11DA97061001**

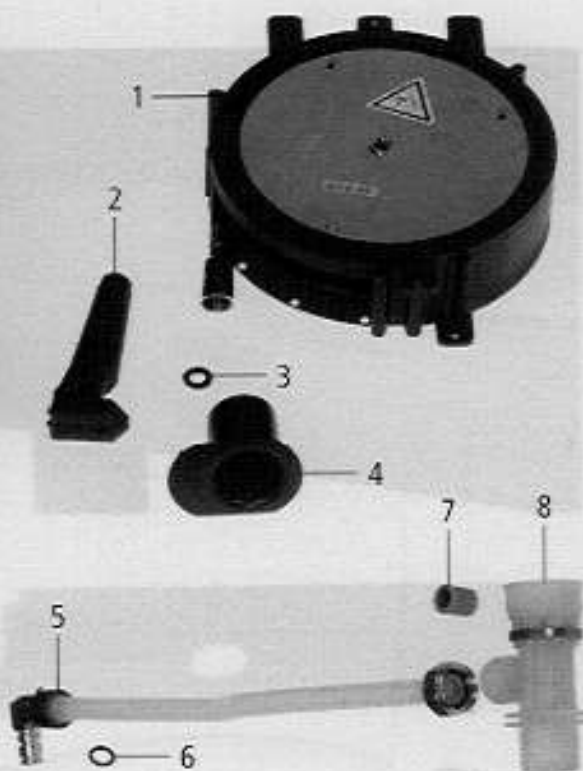
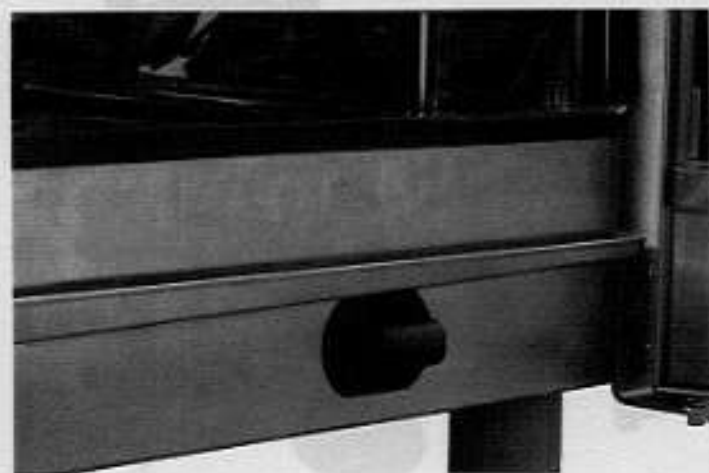


Pos.	St.	Ersatzteil Nr.	Bezeichnung	Description	Bez.
Pos.	Pcs.	Spare part no.			Sign.
1	1	3028.0550	Schütz AEG LSW4K01	Contacteur AEG LS4K01	K2
2	1	3028.0550	Schütz AEG LSW4K01	Contacteur AEG LS4K01	K2.1
3	1	3028.0560	Hilfsschalter HS07K10 Schliesser	Auxilliary contact HS07K10 N/C	
4	1	3028.0561	Hilfsschalter HS07K01 Öffner	Auxilliary contact HS07K01 N/O	
5	1	3028.0553	Schütz AEG LS11 K00	Contacteur AEG LS 11K00	K4
6	1	3028.0553	Schütz AEG LS11 K00	Contacteur AEG LS 11K00	K3
7	1	3028.0552	Schütz AEG LS 7K10	Contacteur AEG LS7K10	K1
8	3	4001.1216	Reihenklamme 4mm ² grau	Terminal 4mm ² grey	
9	1	4001.1203	Endklammer für Tragschiene	End plate for supporting rail	
10	1	3102.1000	Wechselspannungskondensator 1,5 µF	Capacitor 1,5 µF,250V AC	C1
11	1	3028.0562	RC-Glied für LS4K - LS30K	RC-link for LS4K - LS30K	C2
12	1	3014.0402	Überstromauslöser 1polig Motorschutz	Motor protector type 61-202	F3
13	1	3014.0300	Trockengehenschutz 135°C	Dry up protector 135°C	F5
14	1	3014.0326	Sicherheitstemperaturbegrenzer 360°C	Safety temperature limiter 360°C	F4

Handbrause (Option) / Hand shower (option)

 Spannung / Voltage: **3 N AC 400V 50Hz**

 Baugruppe / Group: **11** Ausgabe / Edition: **11.1.1**

 Gültig ab Seriennummer / Applicable from serial. no.: **E11DA97061001**


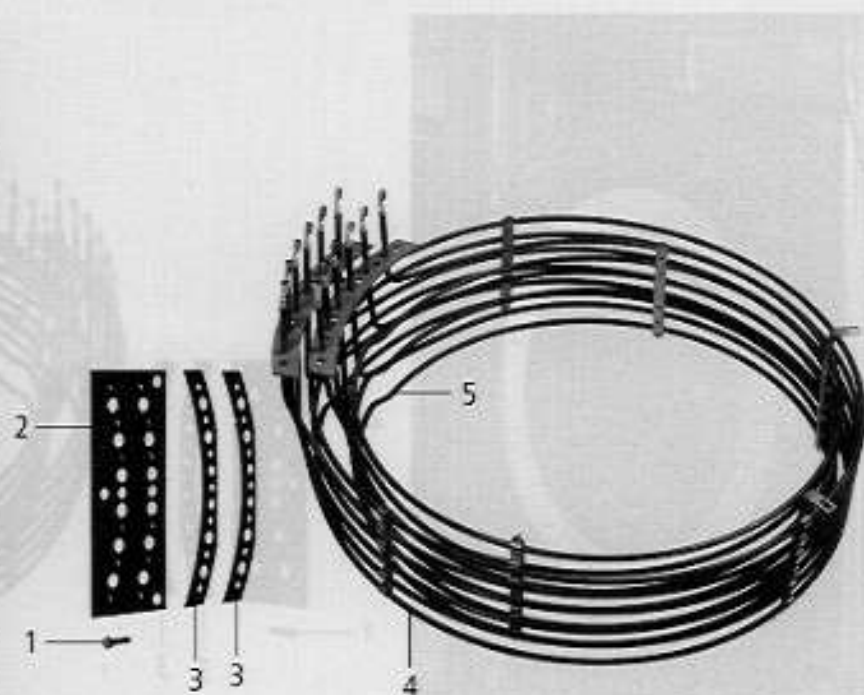
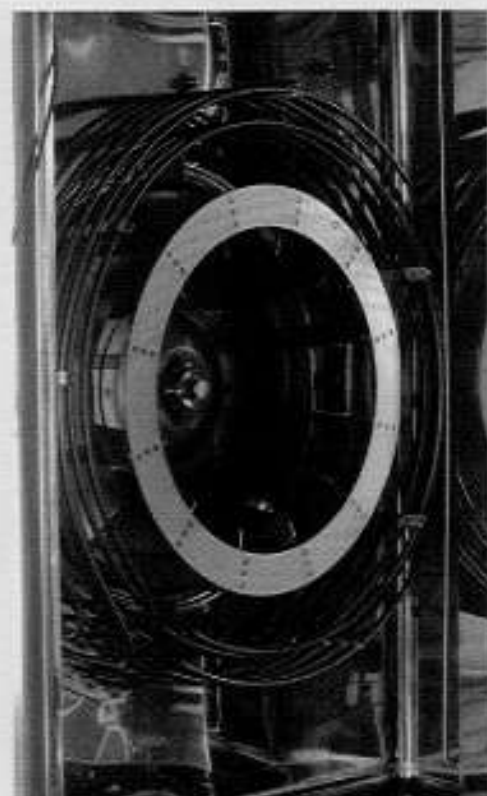
Pos.	St.	Ersatzteil Nr.	Bezeichnung	Description	Bez. Sign.
Pos.	Pcs.	Spare part no.			
1	1	8655.2021	Schlauchroller	Handshower roll guide	
2	1	2060.1000	Handbrause	Hand shower	
3	1	5012.0539	Dichtung für Verschraubung G 1/2"	Gasket for G1/2" threaded joint	
4	1	2060.1210	Tulpe für Handbrause	Tulip for handshower	
-	4	1107.0103	Schnellbefestiger d3mm	Quick fastener d3mm	
5	1	2062.0327	Anschlußrohr Schlauchroller	Connecting pipe hand shower	
6	2	2060.0228	O-Ring für Brauseschlauch	O-ring for shower hose	
7	1	2069.0105	Rückschlagventil DN8	Non return valve DN8	
8	1	8464.1300	T-Stück Wasseranschluss Handbrause	T-water connection handshower	
9	1	8455.1315	Gerätetropfwanne	Drip collector	
10	1	2066.0525	Schlauchklemme 22,1mm	Hose clamp 22,1mm	
11	1	2110.1002	Silikonschlauch d15x3	Silicone hose d15x3	

Heißluftheizung / Hot air heating

Spannung / Voltage: **3 N AC 400V 50Hz**

Baugruppe / Group: **5** Ausgabe / Edition: **5.1.1**

Gültig ab Seriennummer / Applicable from serial. no.: **E11DA97061001**



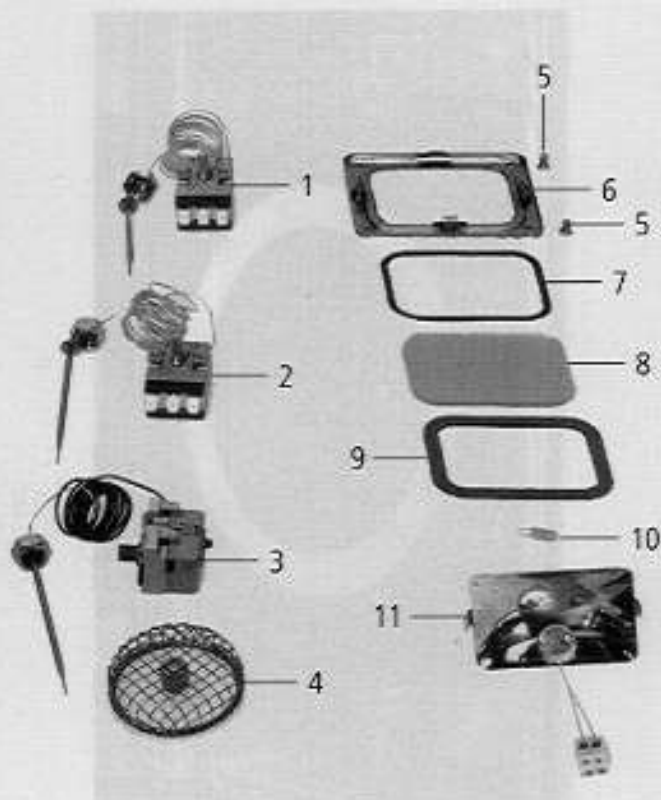
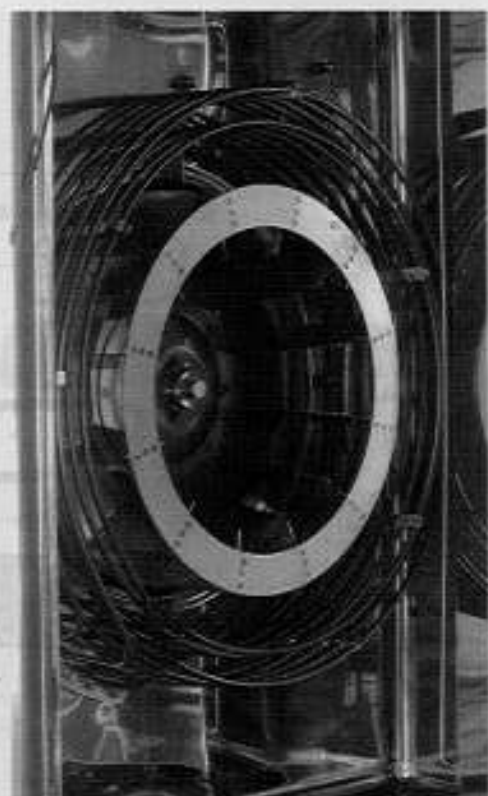
Pos.	St.	Ersatzteil Nr.	Bezeichnung	Description	Bez.
Pos.	Pcs.	Spare part no.			Sign.
1	12	1006.0766	Sechskantschraube M 6x25, HL Register	Hex screw M6x25, hot air heater	
-	14	1306.0222	Unterlegscheibe A6,4	Washer A6.4	
2	1	2150.1251	Doppelflansch Aussenseite	External double flange for hot air heater	
3	2	5110.1009	Dichtring f. Heizregister	Seal ring for heating assembly	
4	1	3200.1001	Heizregister außen 230V	Outer heating assembly 230V	
5	1	3200.1000	Heizregister innen 230V	Inner heating assembly 230V	
-	2	1106.0360	Hutmutter M6 hohe Form	Cap nut M6, high shape	

Garraum / Interior cabinet

Spannung / Voltage: **3 N AC 400V 50Hz**

Baugruppe / Group: **7** Ausgabe / Edition: **7.1.1**

Gültig ab Seriennummer / Applicable from serial. no.: **E11DA97061001**



Pos.	St.	Ersatzteil Nr.	Bezeichnung	Description	Bez. Sign.
Pos.	Pcs.	Spare part no.			
-	1	8516.1301	Luftleitblech	Air baffle	
1	1	3014.0166	Thermostat Heißluft/ Gerät zu heiß	Thermostat hot air/ unit too hot	P1
2	1	3014.0166	Thermostat Heißluft/ Gerät zu heiß	Thermostat hot air/ unit too hot	P3
3	1	3014.0326	Sicherheitstemperaturbegrenzer 360°C	Safety temperature limiter 360°C	F4
4	1	2005.0302	Ablaufsieb	Outlet sieve	
5	4	1008.0753	Sechskantschraube M 5x8	Hexagonal screw M5x8	
6	1	8514.1017	Andrückrahmen f. Garraumbeleuchtung	Press down frame for interior lighting	
7	1	5110.1022	Dichtungsrahmen außen	External gasket frame	
8	1	5201.1000	Glas f. Garraumbeleuchtung	Glass for interior lamp	
9	1	5110.1023	Dichtungsrahmen innen	Internal gasket frame	
10	1	3024.0201	Halogengarraumlampe 10 W/12V/300°	Halogen bulb 10 W/12V/300°	H1
11	1	8514.1018	Reflektor kpl. f. Garraumbeleuchtung	Reflector unit for interior lighting	

Sonstiges / Miscellaneous

 Baugruppe / Group: **12** Ausgabe / Edition: **12.1.1**

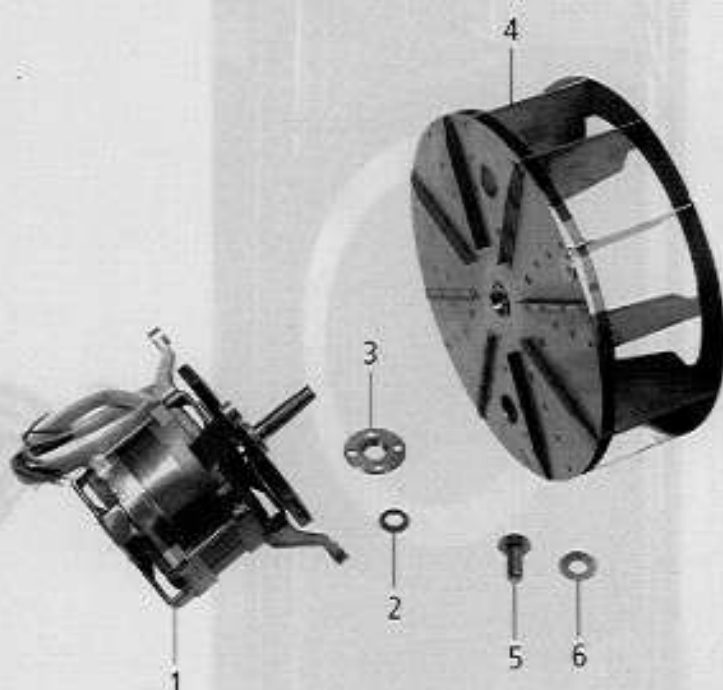
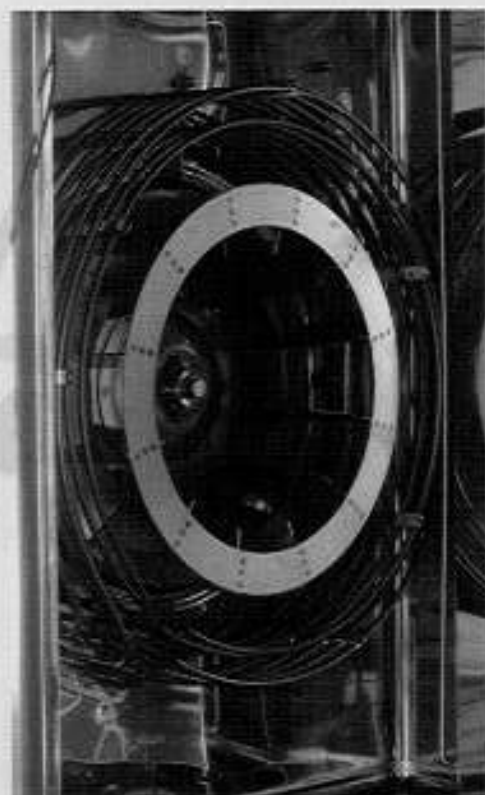
 Gültig ab Seriennummer / Applicable from serial. no.: **E11DA97061001**

Pos.	Ersatzteilnr.:	Bezeichnung	Description
Pos.	Spare part no.		
1	1003.2260	Linsensenk-Blechschrabe HC4,2x16	Raised countersunk head - self-tapping screw HC4,2x16
2	1004.2160	Sechskant Blechschrabe B4,2x16	Hex head tapping screw B4, 2x16
3	1104.0821	Blechmutter B3,9	Climp B3,9
4	1107.0100	Schnellbefestiger d4,0 mm	Quick fastener d4.0 mm
5	1107.0101	Schnellbefestiger d5,0mm	Quick fastener d5,0mm
6	1107.0102	Schnellbefestiger d12mm	Quick fastener d12mm
7	1107.0103	Schnellbefestiger d3mm	Quick fastener d3mm
8	1311.2260	Schraubenrosette 5x12,5	Rosette 5x12,5
9	1603.0165	Blindniete 3,2x9,5	Blind rivet 3.2x9.5
10	1901.0042	Blechklammer für Außenmantel	Clamp for exterior cabinet
11	1901.0044	Blechklammer für Deckel bis 05/95	Clamp for cover up to 05/95
12	2001.0042	Loctite Schraubensicherung 10ml	Screw locking, heat resistant 10ml
13	2005.0603	Lenkrolle d/125 mit Feststeller	Castor d/125 with stopper
14	2005.0604	Lenkrolle d/125 ohne Feststeller	Castor d/125 without stopper
15	2039.0111	Metall-Einsteckfuß 40x40	Foot adjustable metal, 40 x 40
16	2039.0120	Fußoberteil 85mm	Upper part of pedestal 85mm
17	2039.0121	Fußunterteil	Lower part of pedestal
18	3016.1409	Magnet rund Tischgeräte	Magnet round table models
19	4002.0100	Flachsteckhülse 2,5x6,3	Cable shoes 2,5x6,3
20	4004.0100	Aderendhülse 1,0mm ²	Wire end sleeve 1,0mm ²
21	4004.0101	Aderendhülse 1,5mm ²	Wire end sleeve 1,5mm ²
22	4004.0102	Aderendhülse 2,5mm ²	Wire end sleeve 2,5mm ²
23	4004.0103	Aderendhülse 4mm ²	Wire end sleeve 4mm ²
24	4004.0104	Aderendhülse 6mm ²	Wire end sleeve 6mm ²
25	4004.0105	Aderendhülse 10mm ²	Wire end sleeve 10mm ²
26	4004.0106	Aderendhülse 16mm ²	Wire end sleeve 16mm ²
27	4004.0114	Aderendhülse 0,75mm ²	Wire end sleeve 0,75mm ²
28	4005.0101	Kabelbinder 145mm lang	Cable strap 145mm long
29	4005.0102	Kabelbinder 100mm lang	Cable strap 100mm long
30	4007.0305	Kabelverschraubung PG 21	Screw-type conduit fitting PG 21
31	4007.0306	Reduzierstück PG 29/21	Reducing socket PG 29/21
32	4007.0405	Kabelverschraubung PG 16	Screw-type conduit fitting PG 16
33	4007.0406	Reduzierstück PG 29/16	Reducing socket PG 29/16
34	4007.0521	Sechskantmutter für PG 13,5	Hex screw for PG 13,5
35	4007.0526	Sechskantmutter für PG 21	Hex screw for PG 21
36	4007.0604	Kabelverschraubung PG 42 mit Zugentlast.	Cable connection PG 42, strain relief
37	4007.0605	Sechskantmutter PG42	Lock nut cable connection PG 42
38	4007.0606	Kabelverschraubung PG 36	Screw-type conduit fitting PG 36
39	4007.0607	Sechskantmutter für PG 36	Hex screw for PG 36
40	4007.0614	Stopfen PG 13,5	Plug PG 13,5
41	4007.0615	Stopfen PG 21	Plug PG 21
42	4007.0621	Durchführungsstülpe d 36mm	Lead-in grommet d 36 mm
43	5003.0300	Isolierung Dampfgenerator 1250x1250mm	Insulation steam generator 1250x1250mm
44	5006.0200	Tube Silikon E41	Silicone (tube) E41
45	5006.0500	Kleber Isolierung Dampfgenerator 310ml	Adhesive isulation steam generator 310ml
46	6004.0100	Handdruck Sprühpistole	Spray-pistol
47	6004.0101	Verlängerung Handdruck Sprühpistole	Lengthening piece for spray-pistol
48	6004.0102	Dichtung Handdruck Sprühpistole	Gasket for spray-pistol
49	6004.0203	Entkalker-Fußpumpe	Descaler foot pump
50	6006.0101	RATIONAL Spezialreiniger	RATIONAL special cleaning agent
51	6006.0110	RATIONAL Entkalker	RATIONAL descaler
52	9003.0202	Unimoly plus, 180 °C	Unimoly plus, 180 °C
53	9006.0850	Metallwaschcreme	Stainless steel cleaning paste

Motor und Lüfterrad / Motor and fan wheel

 Spannung / Voltage: **3 N AC 400V 50Hz**

 Baugruppe / Group: **6** Ausgabe / Edition: **6.1.1**

 Gültig ab Seriennummer / Applicable from serial. no.: **E11DA97061001**


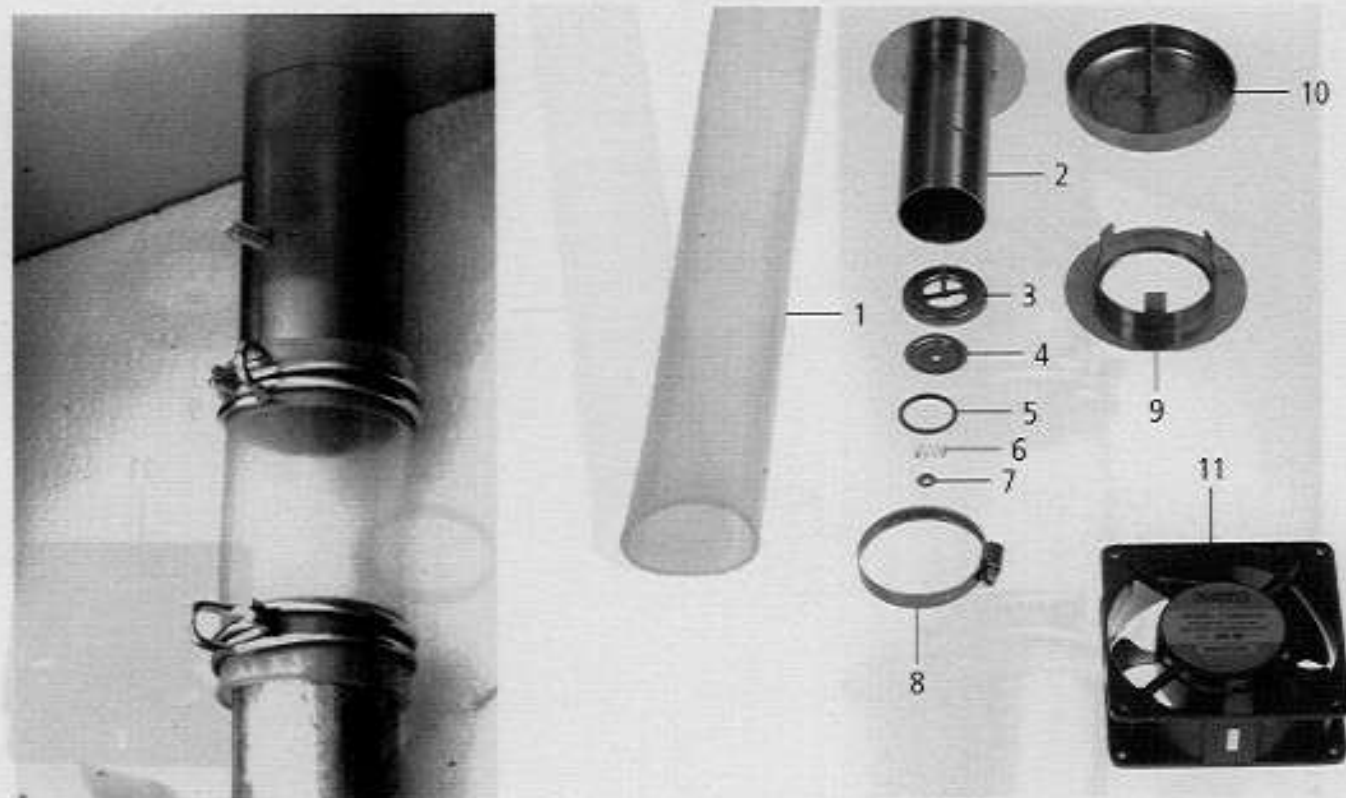
Pos.	St.	Ersatzteil Nr.	Bezeichnung	Description	Bez. Sign.
Pos.	Pcs.	Spare part no.			
1	1	3100.1021	Lüftermotor 4/4pol	Fan motor 4/4pol	M1
-	4	1108.0260	Sechskantmutter M 8	Hexagonal nut M8	
-	4	1208.0260	Federring B8	Spring washer B8	
2	1	5001.0207	Motorwellendichtung	Motor shaft gasket type	
3	1	2016.0876	Dichtungsflansch für Motorwelle	Gasket flange for engine shaft	
-	4	1106.0220	Sechskantmutter M6 flach	Hexagonal nut M6 flat	
-	4	1306.0120	Unterlegscheibe A6,4	Washer A6.4	
4	1	2012.0507	Lüfterrad	Fan wheel	
5	1	1010.0762	Sechskantschraube M 10x20	Hexagonal screw M10x20	
6	1	1328.0102	Sperrkantscheibe A10,2	Safety washer A10,2	

Sicherheitsventil / Safety valve

Spannung / Voltage: 3 N AC 400V 50Hz

Baugruppe / Group: 9 Ausgabe / Edition: 9.1.1

Gültig ab Seriennummer / Applicable from serial. no.: E11DA97061001

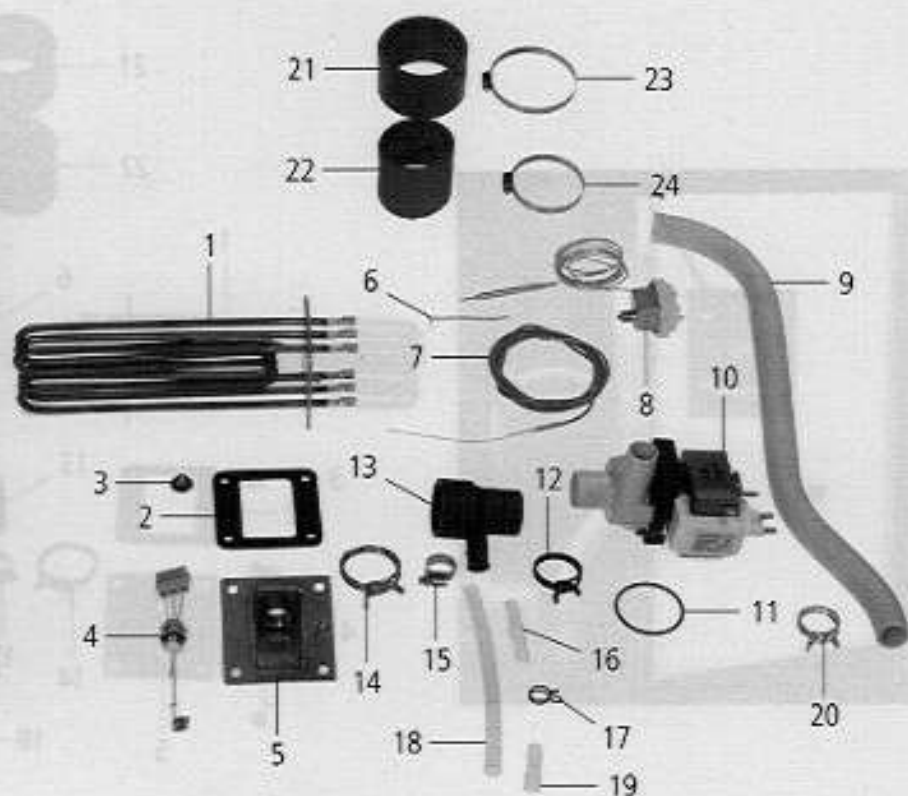
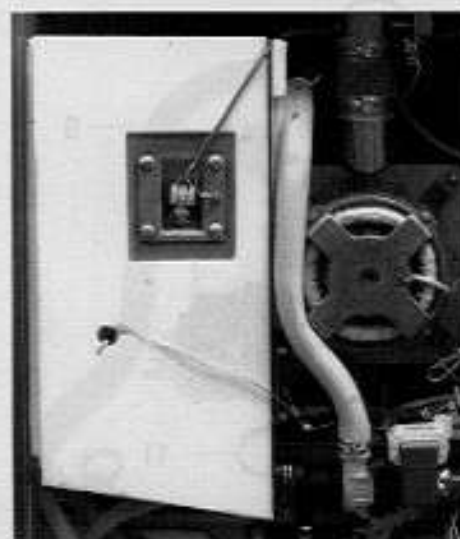


Pos.	St.	Ersatzteil Nr.	Bezeichnung	Description	Bez.
Pos.	Pcs.	Spare part no.			Sign.
1	1	2112.1301	Silikonschlauch d50x3x100	Silicone hose d50x3x100	
2	1	8450.1305	Rohr für Sicherheitsventil	Mounting pipe for safety valve	
3	1	2064.1302	Teller für Sicherheitsventil	Base for safety valve	
4	1	2064.1304	Deckel für Sicherheitsventil	Cover for safety valve	
5	1	5012.0546	O-Ring d 17,0x2,0mm	O-ring d 17,0x2,0mm	
6	1	2001.0117	Druckfeder für Sicherheitsventil	Compression spring for safety valve	
7	1	1107.0103	Schnellbefestiger d3mm	Quick fastener d3mm	
8	2	2066.0504	Schlauchschelle 40-60mm	Hose clamp 40-60mm	
9	1	2812.1304	Abstandshalter für Glocke	Spacer for vent cover	
10	1	8455.1209	Glocke	Vent cover	
11	1	3101.1008	Kühllüfter	Cooling motor	M3

Dampfgenerator / Steam generator

 Spannung / Voltage: **3 N AC 400V 50Hz**

 Baugruppe / Group: **4** Ausgabe / Edition: **4.1.1**

 Gültig ab Seriennummer / Applicable from serial. no.: **E11DA97061001**


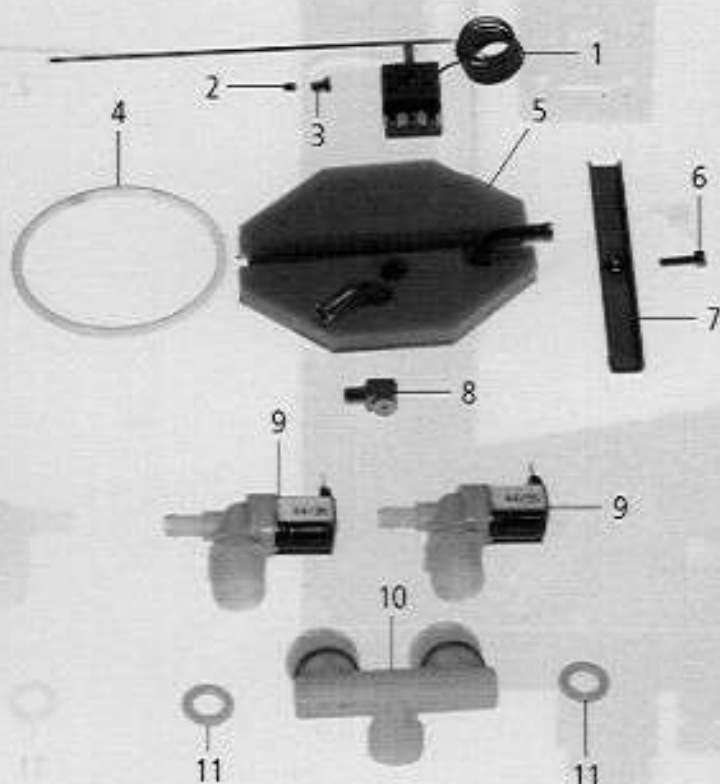
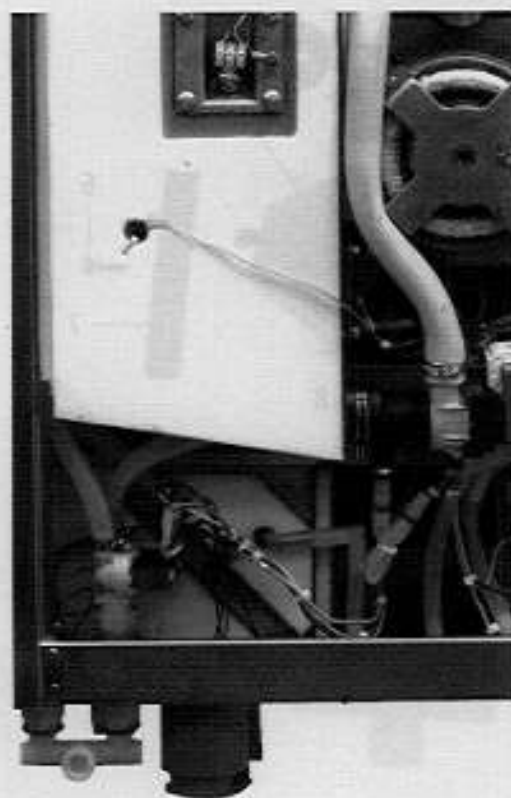
Pos.	St.	Ersatzteil Nr.	Bezeichnung	Description	Bez. Sign.
Pos.	Pcs.	Spare part no.			
-	-	2067.0050	Silikonschlauch 1m	Silicone hose 1m	
1	2	3201.1000	Tauchheizkörper 3x3 kw 230V	Heating element 3x3 kw 230V	
2	3	5110.1003	Dichtung f. Tauchheizkörper	Gasket for heating element	
3	12	1106.0803	Sechskant-Combimutter M6 verzinkt	Hex combi nut M6 galv	
4	1	3002.0402	Füllstandselektrode 90mm	Filling level electrode 90mm	S4
5	1	2920.1300	Einsatz Niveauelektrode	Level electrode insert	
6	1	2740.1040	Klemmblech Dampfgenerator	Clamping plate for steam generator	
7	1	3014.0165	Thermoelement Dampfgenerator	Thermo element steam generator	B2
8	1	3014.0300	Trockengehschutz 135°C	Dry up protector 135°C	F5
9	1	2112.1303	Entleerschlauch	Emptying hose	
10	1	3002.1000	Entleerungspumpe 200-240V 50/60Hz	Emptying pump 200-240V 50/60Hz	M2
11	1	5012.0560	O-Ring Dichtung Entleerungspumpe	O-Ring gasket emptying pump	
12	1	2066.0519	Schlauchklemme 35,6mm	Hose clamp 35,6mm	
13	1	2118.1000	Pumpenanschlußstutzen	Pump connection spout	
14	1	2066.0526	Schlauchklemme 46mm	Hose clamp 46mm	
15	1	2066.0530	Schlauchklemme 16,4mm	Hose clamp 16,4mm	
16	1	2062.0331	Verbindungsteil GS 10	Connecting piece GS 10	
17	1	2066.0527	Schlauchklemme 14mm	Hose clamp 14mm	
18	1	2110.1008	Silikonschlauch DG-Entleerung	Drain hose steam generator	
19	1	2120.1259	Stopfen 10mm Entleerschlauch DG	Stop plug 10mm drain hose	
20	2	2066.0518	Schlauchklemme 30mm	Hose clamp 30mm	
21	1	2112.1306	Dampfschlauch	Steam hose	
22	1	2112.1006	Dampfschlauch 50x7mm	Steam hose 50x7mm	
23	2	2066.0504	Schlauchschele 40-60mm	Hose clamp 40-60mm	
24	2	2066.0300	Schlauchschele 50-70mm	Hose clamp 50-70mm	

Wasseranschluß / Water supply

Spannung / Voltage: **3 N AC 400V 50Hz**

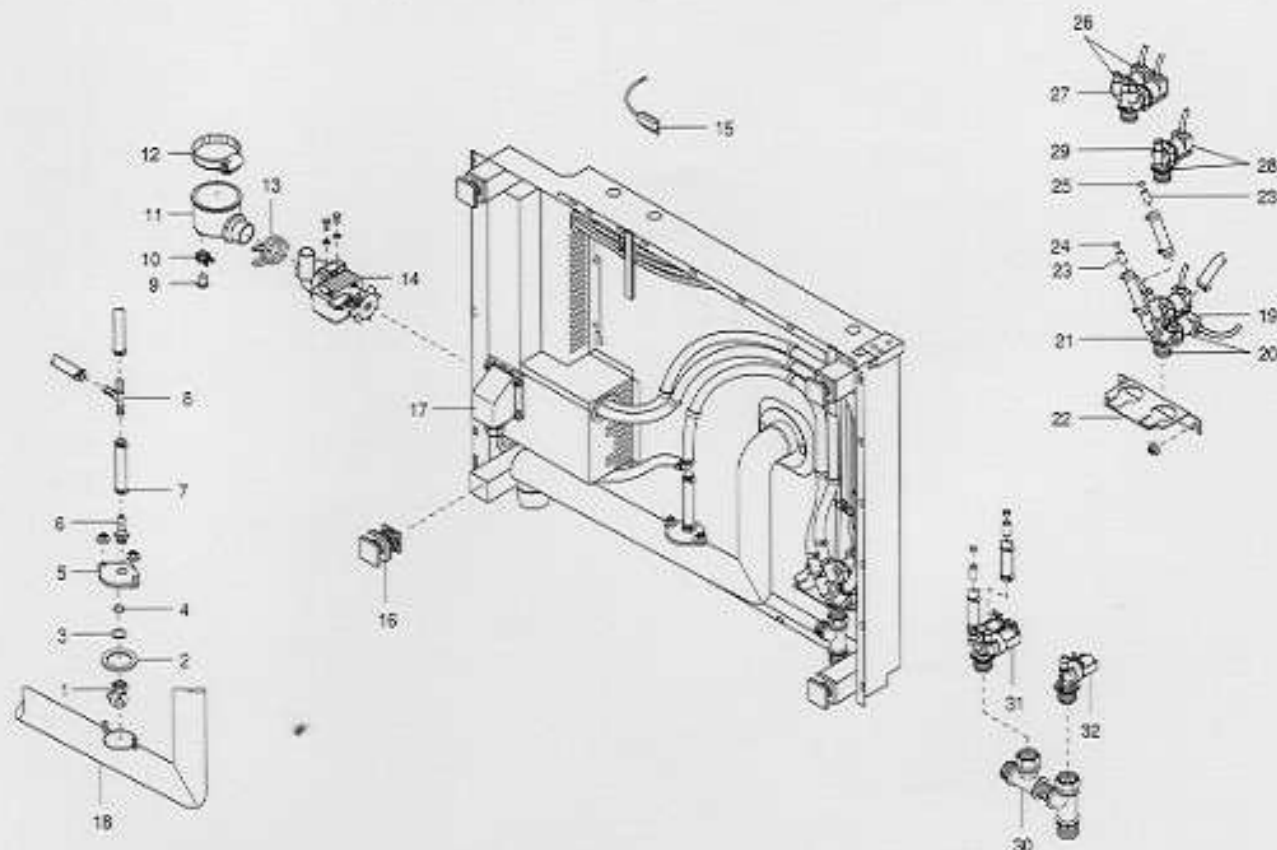
Baugruppe / Group: **10** Ausgabe / Edition: **10.1.1**

Gültig ab Seriennummer / Applicable from serial. no.: **E11DA97061001**

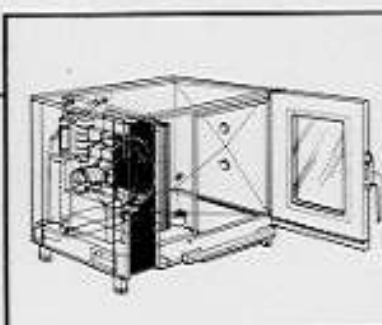


Pos.	St.	Ersatzteil Nr.	Bezeichnung	Description	Bez. Sign.
Pos.	Pcs.	Spare part no.			
-	-	2067.0050	Silikonschlauch 1m	Silicone hose 1m	
-	4	2066.0205	Schlauchselle 12-18mm	Hose clamp 12-18mm	
1	1	3014.0312	Thermostat Ablöschung	Thermostat for quenching	P4
2	1	5110.1307	Dichtung für Thermostat	Gasket for thermostat	
3	1	3014.0163	Stopfbuchsniessel für Thermoelment	Gasket sleeve with nipple	
4	1	5012.0566	O-Ring Dichtung Ablöschkasten	O-Ring gasket quenching chamber	
5	1	8666.1318	Flansch Ablöschkasten	Flange quenching chamber	
6	1	1008.0752	Sechskantschraube M5x10	Hexagonal screw M5x10	
7	1	2715.1320	Spannbügel für Revisionsdeckel Ablöschkasten	Cross bar for cover quenching box	
8	1	2016.0935	Ablöschdüse 2,3 l/min	Quenching nozzle 2.3 l/min.	
9	2	3002.0331	Einfachmagnetventil kpl. 220-240V 50Hz	Single solenoid valve unit 220-240V 50Hz	Y1,Y2
10	1	8664.1301	Brückenfitting 3/4" Wasseranschluss	Water connection fitting 3/4"	
11	2	5110.1024	Dichtung für Verschraubung G 3/4"	Gasket for G3/4" threaded joint	

Bodengruppe (Unterseite)	Spannung	Baugruppe	Ausgabe	gültig ab Seriennummer
Bottom (Lower elevation)	Voltage	Group	Edition	Applicable from Serial.No.
	3 N AC 400V 50Hz	10	10.1.7	10196011001

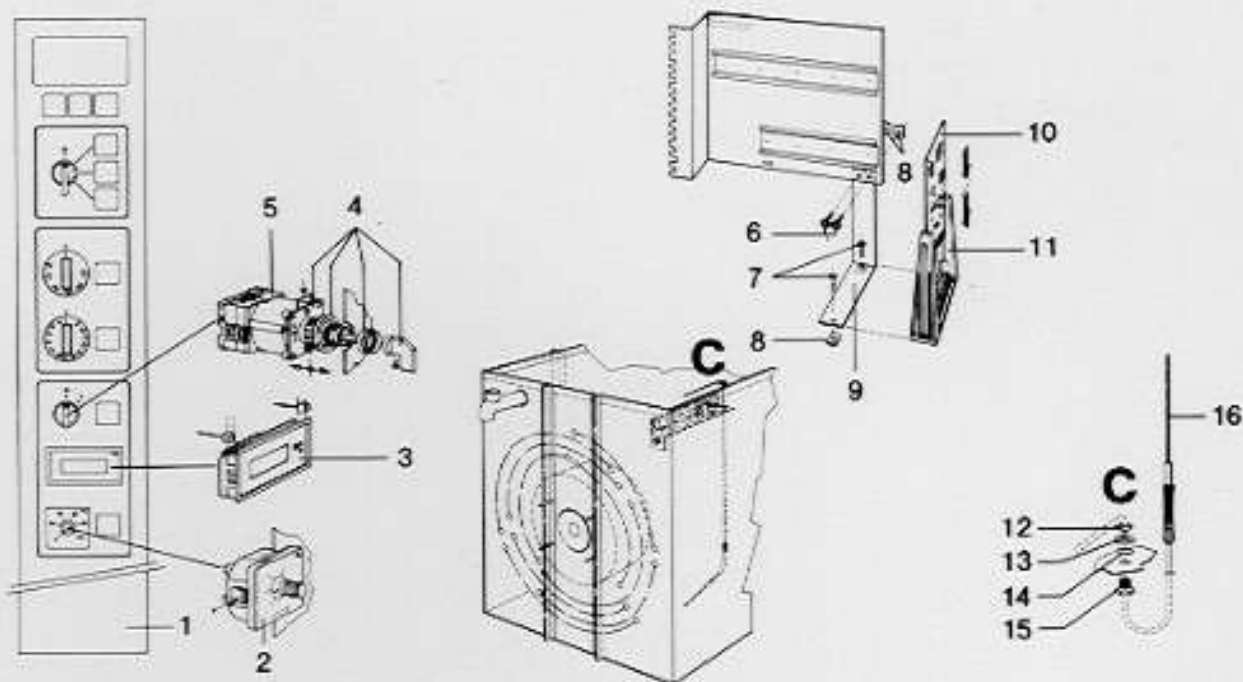


Pos.	St.	Ersatz.Nr.	Bezeichnung	Description
Pos.	Pcs.	Sp. Part No.		
-	-	2067.0050	Druckschlauch NW10 1 lfm.	Pressure hose NW10 per meter
-	1	8612.0102	Ablöschdüse kpl. unten	Quench nozzle cpl. down
1	1	2016.0900	Ablöschdüse CM 101	Quenching nozzle
2	1	2070.0020	Dichtung für Ablöschung	Gasket for quenching
3	1	2580.600594	Scheibe für Ablöschdüse	washer for quench.nozzle
4	1	5012.0532	O-Ring Ablöschung	O-ring quenching nozzle
5	1	2070.0021	Deckel für Ablöschung	Holding cover for quenching nozzle
6	1	2062.0102	Schlauchtülle G3/8"	Hose fitting G 3/8"
7	9	2066.0205	Schlauchschele 12-18 mm	Hose clamp 12-18 mm
8	1	2062.0302	T-Stück TS 10	T-fitting TS10
9	1	2016.0873	Stopfen für Pumpenanschluß	Plug for pump connection
10	1	2066.0517	Schlauchklemme 18,2mm	Hose clamp 18,2mm
11	1	2022.0110	Pumpenanschluss ab 04/91	Pump connection from 04/91
12	1	2066.0516	Schlauchschele 60-80mm	Hose clamp 60x80 mm
13	1	2066.0519	Schlauchklemme d 35,6 mm	Hose clamp 35,6mm
14	1	3002.1000	Entleerungspumpe 200-240 V, 50/60 Hz	Emptying pump 200-240V 50/60 Hz
15	1	3016.1415	Türkontaktschalter	Door contact switch
16	4	2039.0100	Kunststoff-Einsteckfuß	Foot adjustable plastic
17	1	8801.0208	Anschlußkasten kpl.	Terminal box cpl.
18	1	2070.0038	Abflußsystem Typ 101 ab 04/91	Drain cpl. type 101 from 04/91
19	-	3002.0329	Magnetventilspule 220-240V 50/60Hz	Coil for solenoid valve 220-240V 50/60Hz
20	1	3002.0328	Dreifachmagnetventil kpl. Classic	Triple solenoid valve cpl. Classic
21	1	3002.0315	Gehäuse für Dreifachmagnetventil	body for triple solenoid valve
22	1	2580.721120	Haltewinkel für Zweifachmagnetventil ab 04/91	Bracket for double solenoid valve from 04/91
23	2	2016.0867	Aufnahme für Durchflußmengenregler	Socket for flow controller
24	1	1900.0101	Durchflußmengenregler grün, Typ 101	Flow controller green
25	1	1900.0102	Durchflußmengenregler rot, Typ 201	Flow controller red
26	-	3002.0327	Doppelmagnetventil kpl. (Option)	Double solenoid valve cpl. (option)
27	-	3002.0314	Gehäuse für Doppelmagnetventil (Option)	body for double solenoid valve (option)
28	-	3002.0305	Einfachmagnetventil kpl. (Option)	Single solenoid valve cpl. (option)
29	-	3002.0301	Gehäuse für Einfachmagnetventil (Option)	Body for single solenoid valve (option)
ab Seriennummer 1019603XXXX				from serial. no. 1019603XXXX
30	1	8621.0100	Fittingsatz Wasseranschluß	Fitting set water connection
31	1	3002.0330	Doppelmagnetventil kpl.	Double solenoid valve cpl.
32	1	3002.0331	Einfachmagnetventil kpl.	Single solenoid valve cpl.

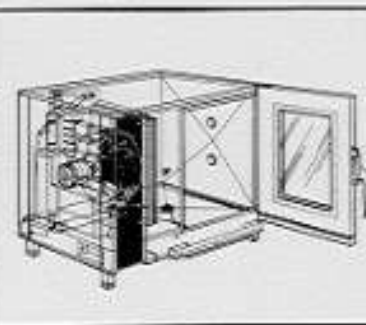


Core Temperature / Meat Probe

Component Group	Page	Edition	applicable from Serial No.
3	3.1	3.1.1	10186 06 1757

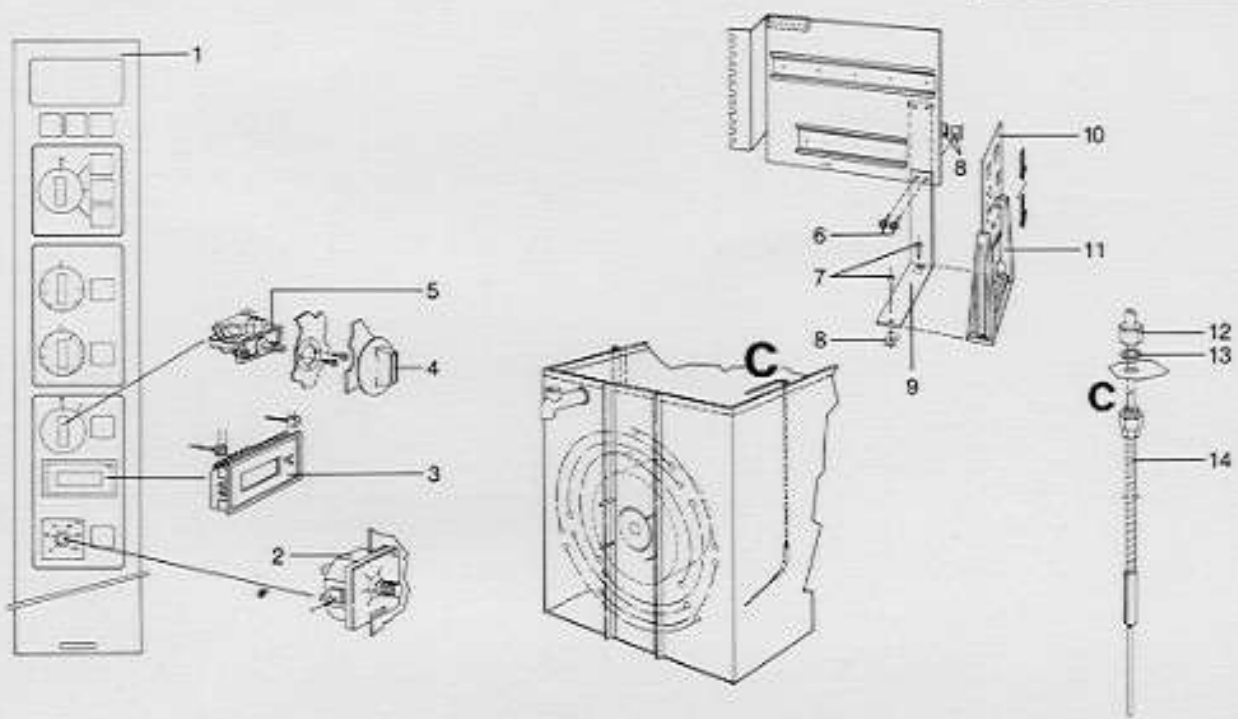


Pos.	Pcs.	Sp. Part No.	Description	Sign
1	1	2049.0520	control panel with core temperature	
2	1	3035.0600	potentiometer	E3
3	1	3035.0602	liquid crystal display	E2
4	1	3016.1310	core temperature knob assy	
5	1	3016.1500	core temperature switch block	S5
6	2	1004.2160	hex head tapping screw B4,2	
7	2	1003.2260	tapping screw B3,9	
8	4	1104.0821	climp	
9	1	2580.780390	bracket for PCB holder	
10	1	3035.0601	PC board for core temperature	
11	1	3035.0603	PCB holder	
12	1	2066.0508	hose clamp	
13	1	3014.0306	hex nut for stuffing box	
14	1	3035.0606	copper washer	
15	1	3014.0307	stuffing box	
16	1	3035.0607	meat probe sensor	E4

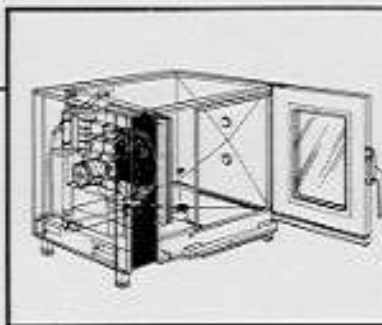


Core Temperature / Meat Probe

Component Group	Page	Edition	applicable from Serial No.
3	3.1	3.1.2	10189041228

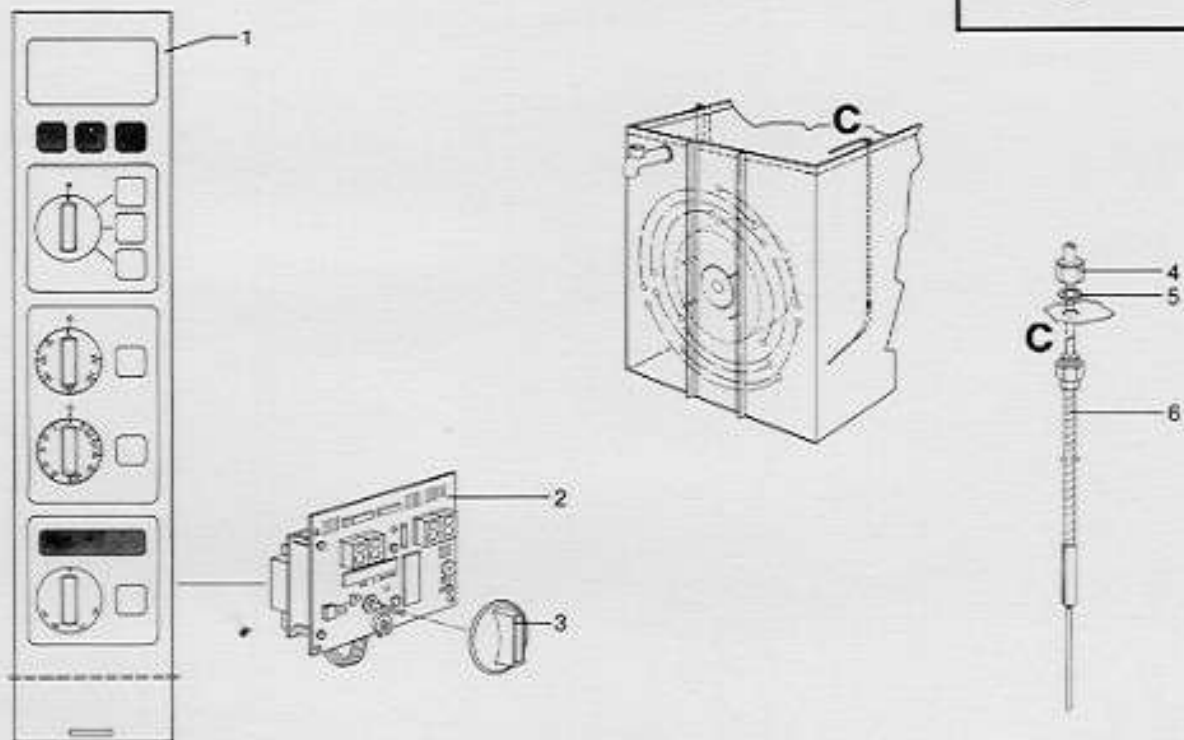


Pos.	Pcs.	Sp. Part No.	Description	Sign
1	1	2049.0672	control panel with core temperature	
2	1	3035.0600	potentiometer	E3
3	1	3035.0602	liquid crystal display	E2
4	1	3013.0113	dial for mode switch	
5	1	3016.1620	core temperature switch	S5
6	2	1004.2160	hex head tapping screw B4,2	
7	2	1003.2260	tapping screw B3,9	
8	4	1104.0821	climp	
9	1	2580.780390	bracket for PCB holder	
10	1	3035.0601	PC board for core temperature	
11	1	3035.0603	PCB holder	
12	1	1112.0160	hex nut M12	
13	1	3035.0606	copper washer	
14	1	3035.0607	meat probe sensor	E4



Core Temperature / Meat Probe

Component Group	Page	Edition	applicable from Serial No.
3	3.1	3.1.3	101 89 10 4001

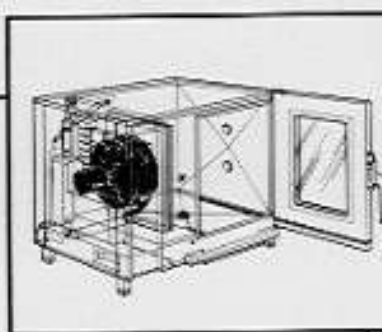


Pos.	Pcs.	Sp.	Part No.	Description	Sign
1	1		2049.0751	control panel with core temperature	
2	1		3035.0630	meat probe controller	A2
3	1		3013.0114	dial for meat probe controller	
4	1		1112.0160	hex nut M12	
5	1		3035.0606	copper washer	
6	1		3035.0627	meat probe sensor	E1
-	1		3040.0173	multipoint connector 6 pin	
-	1		3040.0172	multipoint connector 2 pin	



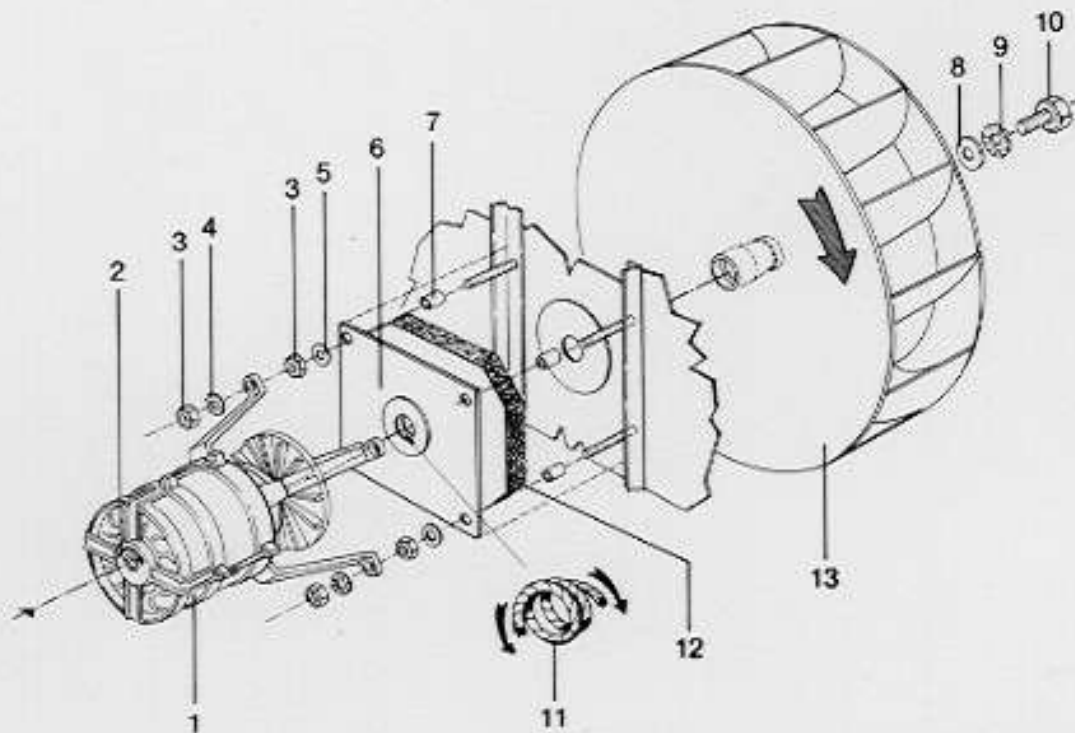
Miscellaneous

Pos.	Pcs.	Sp. Part No.	Description	Sign
1	1	8801.0981	interior wiring (wiring harness)	
2	100	4002.0100	cable shoes 2,5 x 6,3	
3	100m	8801.1000	silicone wire, coloured 1,5 mm ² , (indicate colour)	
4	10m	4015.0202	fibre glass, black 1,5 mm ²	
5	10m	4015.0201	fibre glass, blue 1,5 mm ²	
6	1	9009.1000	high heat paste (tube)	
7		5006.0200	silicone (tube)	
8	1	2019.0101	black plastic knob for transport trolley	
9	2	2005.0401	castor without brake for transport trolley	
10	2	2005.0402	castor with brake for transport trolley	
11	1	8400.3002	handle for mobile oven rack	
12		1603.0164	pop rivet 3,2 x 10	
13		1004.2160	hex head tapping screw B 4,2 complete with washer V 2 A	
14		1104.0821	climp V 2 A	
15		2001.0040	loctite, heat resistant 10 ml	
16		9006.0850	stainless steel cleaner paste	



Motor and Fan Wheel

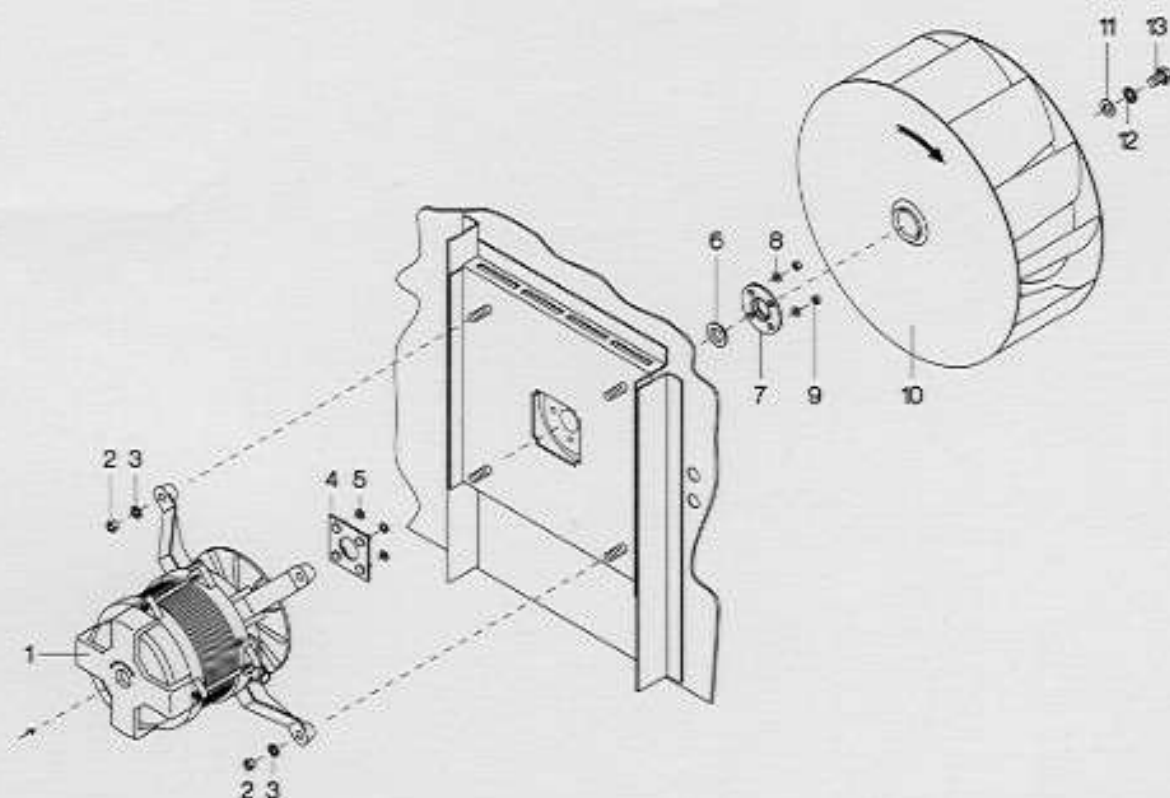
Component Group	Page	Edition	applicable from Serial No.
6	6.1	6.1.1	10186 06 1757



Pos.	Pcs.	Sp.	Part No.	Description	Sign
1	1		3001.0400	motor	
2	1		4019.0012	label direction of fan rotation	
3	8		1108.0260	hex nut M8	
4	4		1208.0160	toothed lock washer A 8,4	
5	4		1308.0561	washer ϕ 9mm	
6	1		8006.8008	motor shaft packing complete	
7	4		2016.0848	spacer	
8	1		1310.0160	washer A 10,5	
9	1		1210.0160	toothed lock washer A 10,5	
10	1		1010.0760	hex screw M 10x16	
11	1		5002.0300	rope packing, greased	
12	1		5009.0100	insulation plate 200x205x20 mm	
13	1		2012.0500	fan wheel complete (with pos. 8-10)	

Motor and Fan Wheel

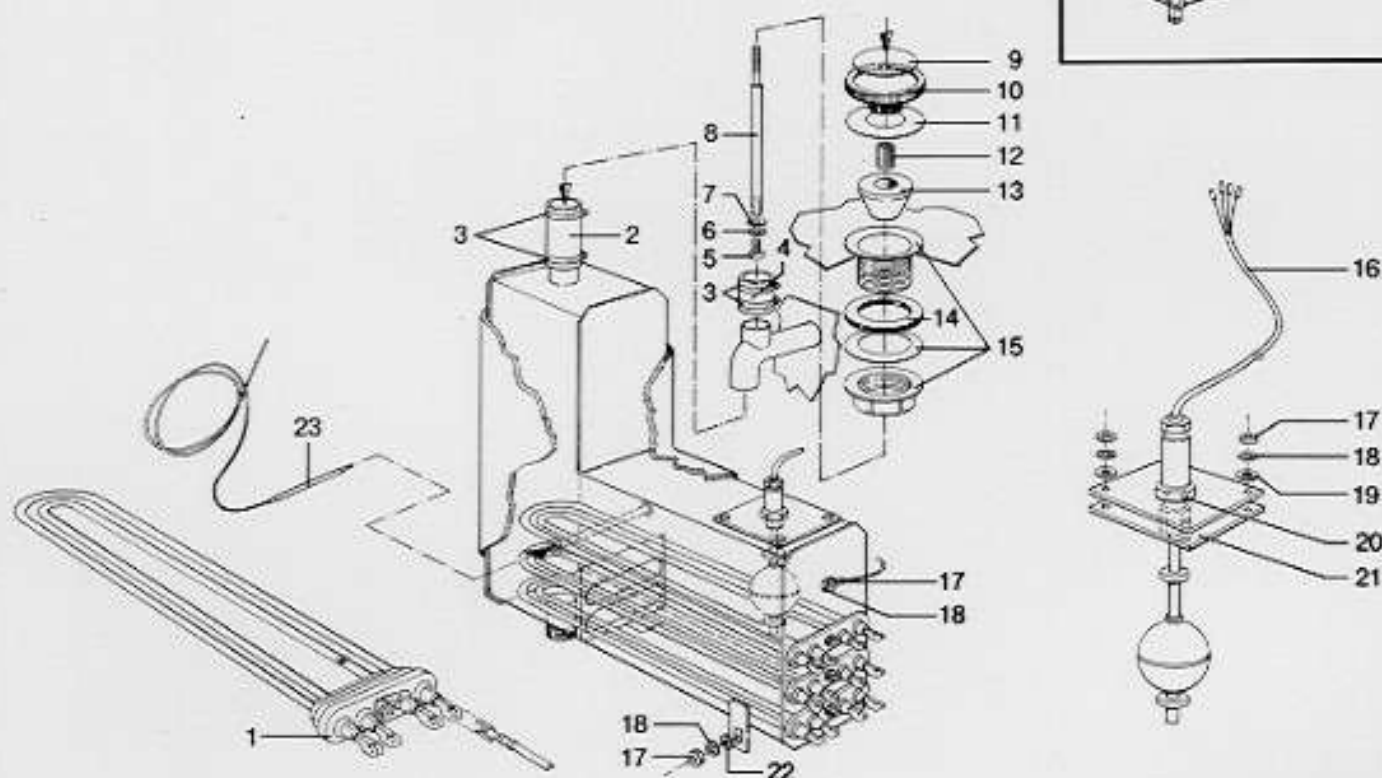
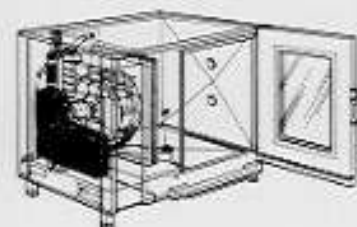
Voltage	Group	Page	Edition	Application from Serial. No.
3 N AC 380V 50Hz	6	6.1	6.1.2	10191042001



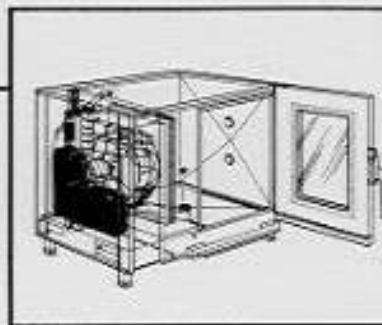
Pos.	Pcs.	Sp. Part No.	Description	Sign.
1	1	3001.0426	motor	M1
2	4	1108.0260	hex nut M8	
3	4	1208.0160	toothed lock washer A8,4	
4	1	8506.0104	holding plate for motor	
5	4	1315.0101	shaft gasket	
6	4	1315.0101	copper washer	
7	1	5001.0207	motor gasket	
8	1	2016.0876	gasket flange	
9	4	1306.0120	washer A6,4	
10	4	1106.0220	hex nut M6 flat	
11	1	2012.0500	fan wheel	
12	1	1310.0160	washer A10,5	
13	1	1210.0160	toothed lock washer A10,5	
13	1	1010.0760	hex screw M10x16	

Steam Generator

Component Group	Page	Edition	applicable from Serial No.
4	4.1	4.1.1	10186 061757

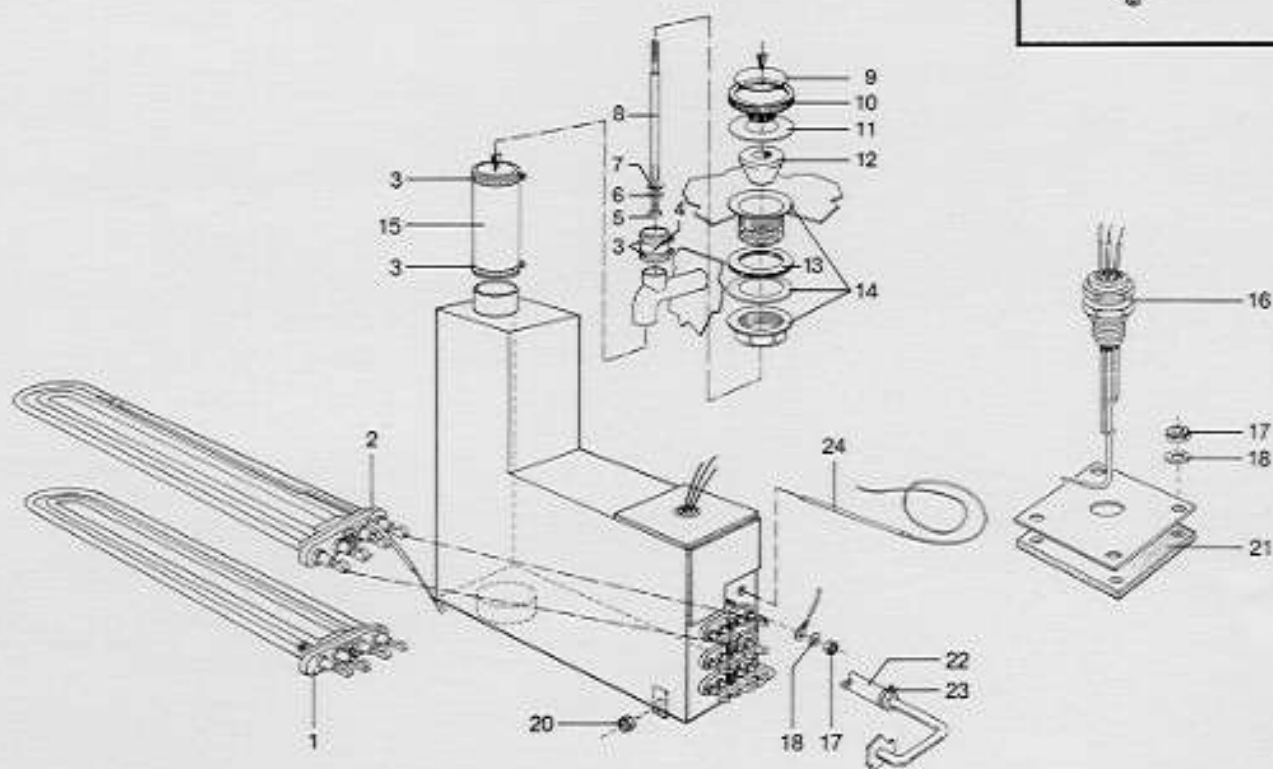


Pos.	Pcs.	Sp.	Part No.	Description	Sign
-	1		8300.0003	steam generator complete	
-	1		8404.4000	safety valve complete (pos. 5 - 15)	
1	3		3004.3505	heating element 2x3 kW	
2	1		2067.0202	steam hose 150 mm long	
3	4		2066.0504	hose clamp 40-60 mm	
4	1		2067.0201	steam hose 50 mm long	
5	1		1005.0660	hex socket head screw M 5x12	
6	1		1205.0360	spring washer	
7	1		1305.0260	washer A 5,3	
8	1		2026.0400	guide bar	
9	1		2049.0800	cover plate aluminium	
10	1		2020.0300	plastic handle for safety valve	
11	1		5012.0526	gasket	
12	1		2026.0300	thread insert	
13	1		2026.0200	cone for safety valve	
14	1		5012.0527	gasket	
15	1		2064.0100	valve body	
16	1		3016.1201	level switch	S4
17	6		1106.0160	hex nut M6	
18	6		1206.0120	toothed lock washer A 6,4	
19	4		1306.0120	washer A 6,4	
20	1		2040.0101	hex nut G 3/8"	
21	1		5012.0528	gasket	
22	1		1306.0221	washer A 6,4	
23	1		3014.0314	thermostat steam generator	P3



Steam Generator

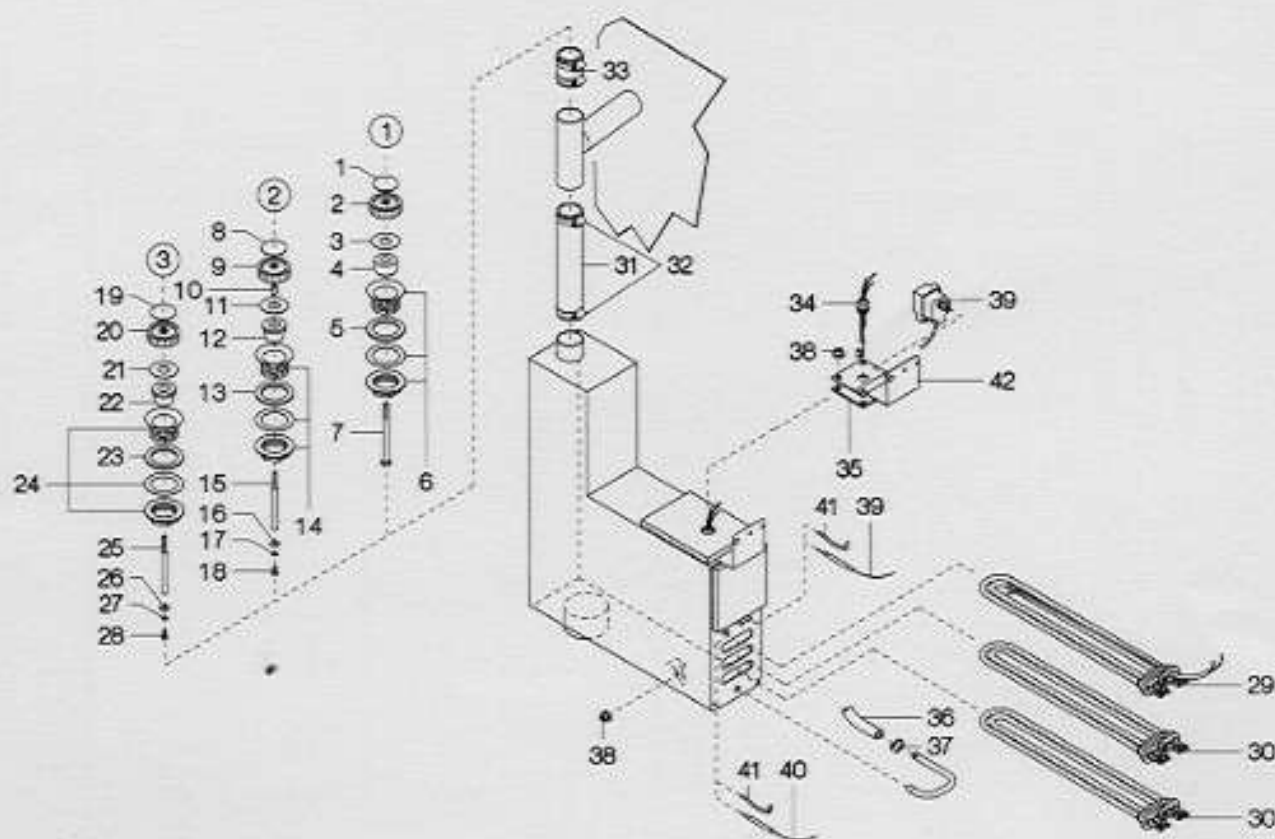
Component Group	Page	Edition	applicable from Serial No.
4	4.1	4.1.2	101 89 10 4001



Pos.	Pcs.	Sp.	Part No.	Description	Sign
-	1		8300.0071	steam generator complete	
-	1		8404.4000	safety valve complete (pos. 5 - 15)	
1	2		3004.3505	heating element 2x3 KW	
2	1		3004.3516	heating element 2x3 KW with thermocouple	
3	4		2066.0504	hose clamp 40-60 mm	
4	1		2067.0201	steam hose 50 mm long	
5	1		1005.0660	hex socket head screw M 5x12	
6	1		1205.0360	spring washer	
7	1		1305.0260	washer A 5,3	
8	1		2026.0400	guide bar	
9	1		2049.0800	cover plate aluminium	
10	1		2020.0300	plastic handle for safety valve	
11	1		5012.0526	gasket	
12	1		2026.0200	cone for safety valve	
13	1		5012.0527	gasket	
14	1		2064.0100	valve body	
15	1		2067.0202	steam hose	
16	1		3002.0402	filling-level control 90 mm	
17	5		1106.0160	hex nut M6	
18	5		1206.0120	toothed lock washer A 6,4	
20	1		1106.0801	hex-combi-nut M6	
21	1		5012.0537	gasket	
22	1		2067.0124	pressure hose 1300 mm	
23	1		2066.0202	hose clamp	
24	1		3014.0314	thermostat	P3
				steam generator	

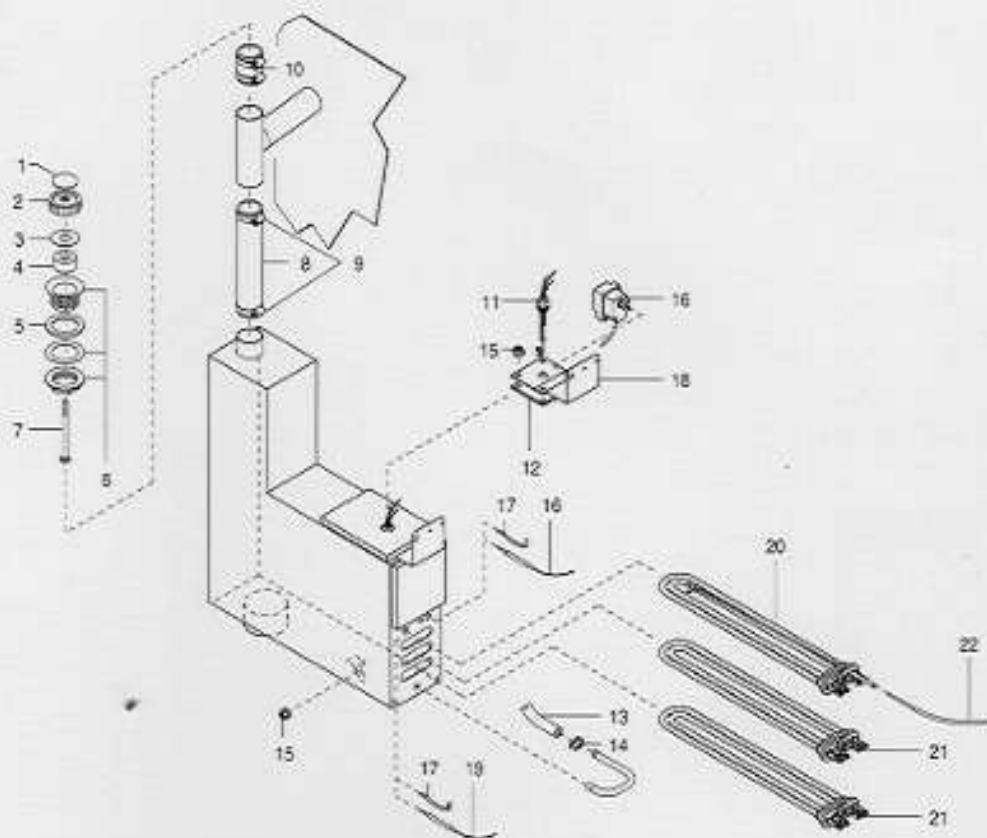
Steam Generator

Voltage	Group	Page	Edition	Application from Serial. No.
3 N AC 380V 50Hz	4	4.1	4.1.3	10191042001



Pos.	Pcs.	Sp. Part No.	Description	Sign.	Pos.	Pcs.	Sp. Part No.	Description	Sign.
-	1	8404.4000	safety valve cpl. (version 1)		-	1	8300.0093	steam generator cpl.	
version 1					29	1	3004.4307	heating element 2x3kW thermocouple	
1	1	2049.0800	cover plate, aluminium		30	2	3004.4305	heating element 2x3kW	
2	1	2020.0301	plastic handle		31	1	2067.0202	steam hose 150mm long	
3	1	5012.0526	gasket		32	4	2066.0504	hose clamp 40-60mm	
4	1	2026.0201	cone		33	1	2067.0201	steam hose 50mm long	
5	1	5012.0527	gasket		34	1	3002.0402	filling-level electrode 90mm	S4
6	1	2064.0100	valve body		35	1	5012.0537	gasket	
7	1	1008.0764	hex screw M8x110		36	1	2067.0162	pressure hose 1370mm long	
version 2					37	1	2062.0205	hose clamp 12-18mm	
8	1	2049.0800	cover plate, aluminium		38	5	1106.0801	hex-combi-nut M6	
9	1	2020.0301	plastic handle		39	1	3014.0300	dry up protector	F5
10	1	2026.0301	plastic insert		40	1	3014.0314	thermostat steam generator	P3
11	1	5012.0526	gasket		41	2	2544.101230	clamping plate	
12	1	2026.0201	cone		42	1	2520.311089	holding angle	
13	1	5012.0527	gasket						
14	1	2064.0100	valve body						
15	1	2026.0400	guide bar						
16	1	1305.0260	washer A5,3						
17	1	1205.0360	spring washer A5,3						
18	1	1005.0660	hex socked head screw M5x12						
version 3									
19	1	2049.0800	cover plate, aluminium						
20	1	2020.0300	plastic handle						
21	1	5012.0526	gasket						
22	1	2026.0201	cone						
23	1	5012.0527	gasket						
24	1	2064.0100	valve body						
25	1	2026.0400	guide bar						
26	1	1305.0260	washer A5,3						
27	1	1205.0360	spring washer A5,3						
28	1	1005.0660	hex socked head screw M5x12						

Dampfgenerator	Spannung	Baugruppe	Ausgabe	gültig ab Seriennummer
Steam generator	Voltage	Group	Edition	Applicable from Serial.No.
	3 N AC 400V 50Hz	4	4.1.4	10196011001

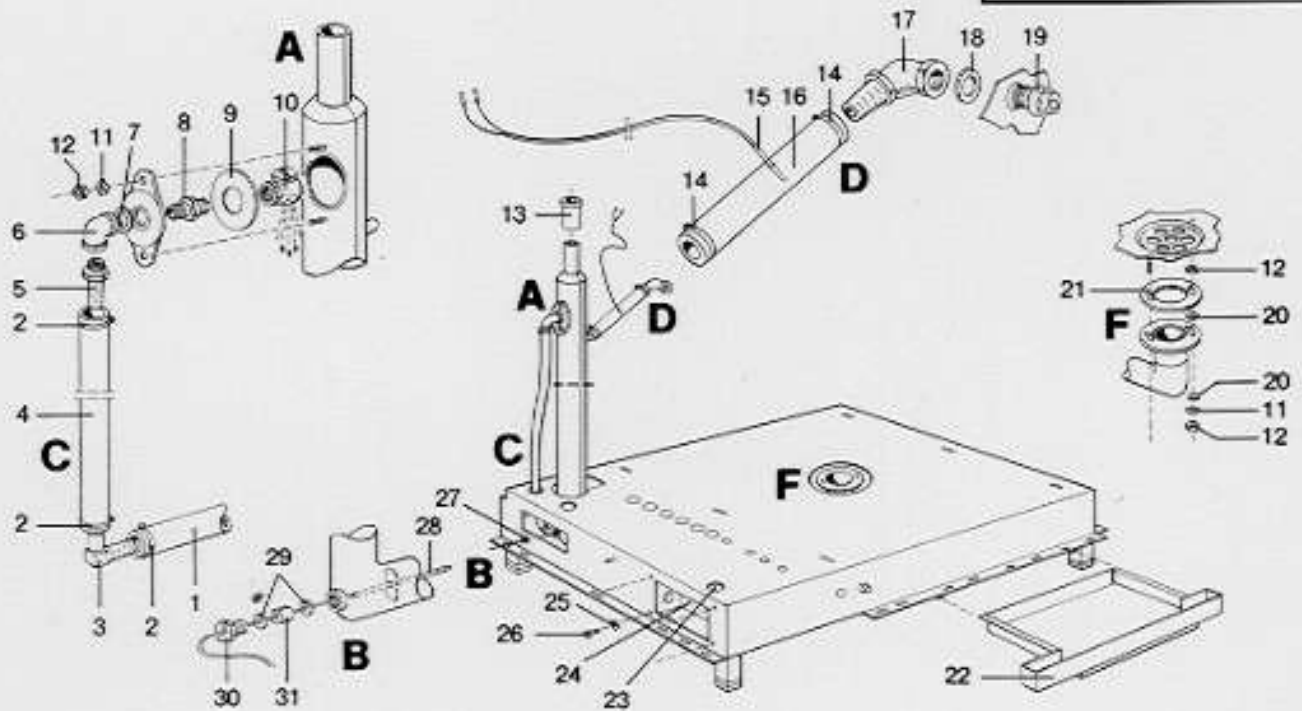


Pos.	St.	Ersatz.Nr.	Bezeichnung	Description
Pos.	Pcs.	Sp. Part No.		
-	1	8300.0093	SC-Dampfgenerator kpl.	SC-steam generator cpl.
-	1	8404.4000	Sicherheitsventil kpl.	Safety valve complete
1	1	2049.0800	Alu-Deckschild für Sicherheitsventil	Cover plate aluminum for safety valve
2	1	2020.0301	Griffscheibe Sicherheitsventil	Plastic-handle for safety-valve
3	1	5012.0526	Dichtung für Sicherheitsventil	Gasket for safety valve
4	1	2026.0201	Verschlußkegel Sicherheitsventil	Cone for safety valve
5	1	5012.0527	Dichtung für Sicherheitsventilgehäuse	Gasket for safety valve housing
6	1	2064.0100	Einfüllstutzen Typ 6/101	Safety valve housing
7	1	1008.0764	Sechskantschraube M8x110 f.Griffscheibe	Hex screw M8x110 for safety valve
8	1	2067.0202	Dampfschlauch NW42 150mm lang	Steam hose 150mm long
9	4	2066.0504	Schlauchschelle 40-60mm	Hose clamp 40-60mm
10	1	2067.0201	Dampfschlauch NW42 60 mm lang	Steam-hose 60mm long
11	1	3002.0402	Füllstandselektrode 90mm	Filling-level electrode 90mm
12	1	5012.0537	Dichtung für Füllstandselektrode	Gasket for filling-level elektrode
13	1	2067.0162	Silikonschlauch 1370mm lang	Silicone hose 1370mm long
14	1	2066.0205	Schlauchschelle 12-18mm	Hose clamp 12-18mm
15	5	1106.0801	Sechskant-Combi-Mutter M6	Hex combination nut M6
16	1	3014.0300	Trockengehschutz 125°C	Dry up protector 125°C
17	2	2544.101230	Klemmblech Dampfgenerator	Clamping plate thermostat steam generator
18	1	2520.311089	Halterung für Trockengehschutz	Holder for dry up protector
19	1	3014.0314	Thermostat Dampfgenerator, 60°-180° C	Thermostat preheating steam generator
20	1	3004.4155	Tauchheizkörper 2x3kW 230V mit Fühlerrohr	Heating element 2x3kW 230V with sensor pipe
21	2	3004.4305	Tauchheizkörper 2x3kW 230V	Heating element 2x3KW 230V
22	1	3014.0165	Thermoelement Dampfgenerator	Thermo element steam generator



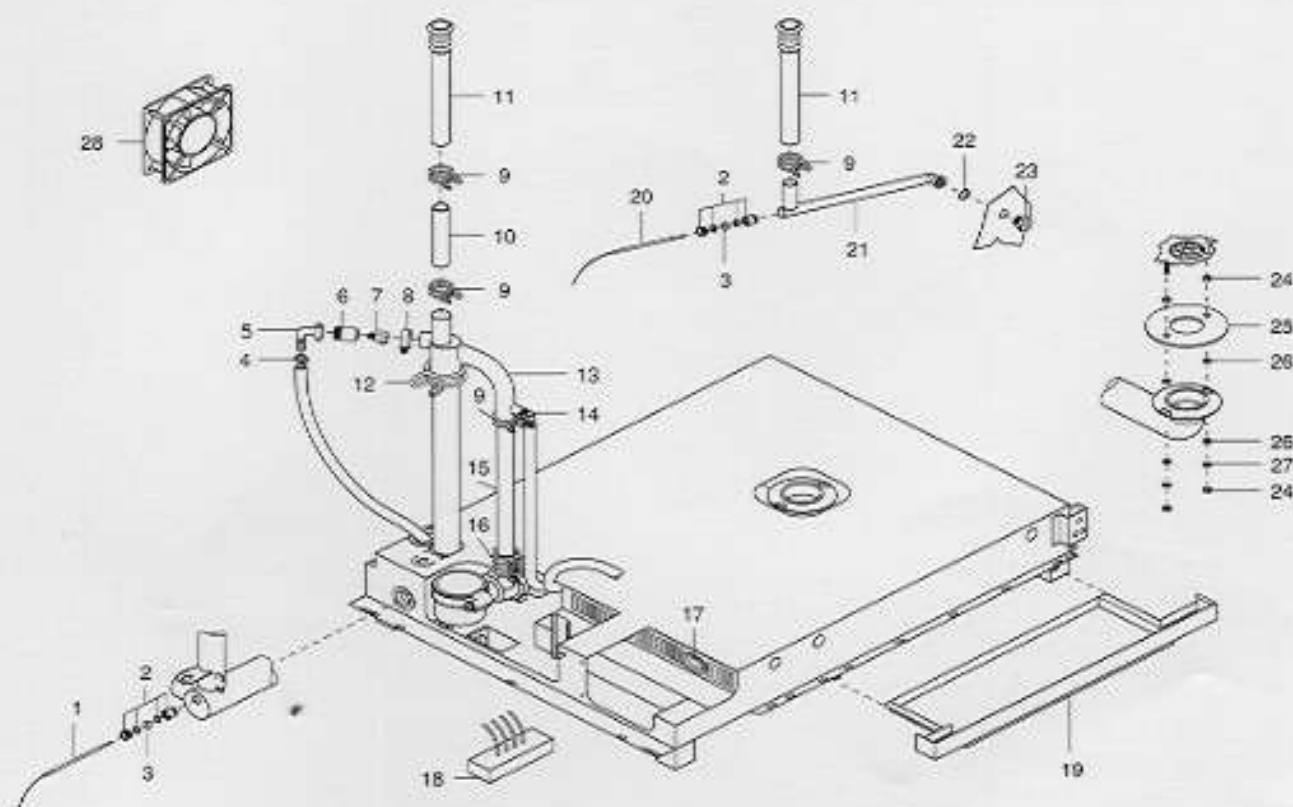
Bottom (Top elevation)

Component Group	Page	Edition	applicable from Serial No.
9	9.1	9.1.1	10186 06 1757



Pos.	Pcs.	Sp.	Part No.	Description	Sign	Pos.	Pcs.	Sp.	Part No.	Description	Sign
1	1		2067.0102	pressure hose 430 mm long		28	1		3014.0312	thermostat quenching system	P4
2	2		2066.0202	hose clamp 12 – 22 mm		29	2		3014.0304	washer	
3	1		2062.0301	plastic elbow fitting		30	1		3014.0305	stuffing box nipple	
4	1		2067.0103	pressure hose 650 mm long		31	1		3014.0303	stuffing box packing	
5	1		2062.0102	hose fitting G 3/8"							
6	1		2064.0300	elbow fitting G 3/8", 90°							
7	1		5012.0532	gasket							
8	1		2064.0200	double nipple G 3/8"							
9	1		2070.0020	gasket							
10	1		2016.0900	quench nozzle							
11	4		1206.0120	toothed lock washer A 6,4							
12	6		1106.0160	hex nut M6							
13	1		4016.0601	air inlet grommet							
14	2		2066.0506	hose clamp 20 – 32 mm							
15	1		3014.0120	sensor for steam controller P2							
16	1		2067.1605	silicone hose 285 mm long							
17	1		2070.0008	elbow fitting G 1/2", 90°							
18	1		1315.0100	copper washer							
19	1		2016.0850	bushing G 1/2"							
20	4		1306.0221	washer A 6,4							
21	1		5012.0525	gasket							
22	1		8100.0115	drip collector							
23	1		4016.0400	grommet							
24	1		3038.0200	terminal box							
25	4		1204.0120	toothed lock washer A 4,3							
26	4		1004.0660	hex socket head cap screw M 4x10							
27	1		2022.0101	grommet							

Bodengruppe (Oberseite)	Spannung	Baugruppe	Ausgabe	gültig ab Seriennummer
Bottom (Top elevation)	Voltage	Group	Edition	Applicable from Serial.No.
	3 N AC 400V 50Hz	9	9.1.6	10196011001



Pos.	St.	Ersatz.Nr.	Bezeichnung	Description
Pos.	Pcs.	Sp. Part No.		
-	-	2067.0050	Druckschlauch NW10 1 lfm.	Pressure hose NW10 per meter
-	1	8612.0111	Ablöschdüse oben komplett	Quench nozzle top
1	1	3014.0312	Thermostat Ablöschung, CD	Thermostat quenching system, CD
2	2	4007.0600	Kabelverschraubung PG 9	Cable connection PG9
3	2	2022.0100	Silikondurchführung rot 15x4mm	Silicone gasket red
4	4	2066.0205	Schlauchschelle 12-18 mm	Hose clamp 12-18 mm
5	1	2062.0208	Winkelverschraubung G1/2"x10	Elbow Nipple 1/2"x10mm
-	1	5012.0539	Dichtung Winkelverschraubung G1/2"	Gasket for G1/2" threaded joint
6	1	2016.0883	Verschraubung Ablöschdüse	Threaded connection for quenching nozzle
7	1	2016.0915	Ablöschdüse oben ab 04/91	Quenching nozzle top type 101/20 from 04/91
8	1	2066.0506	Schlauchschelle 20-32mm	Hose clamp 20-32mm
9	6	2066.0518	Schlauchklemme 30mm	Hose clamp 30mm
10	1	2610.420320	PP-Rohr 145mm lang	PP-pipe 145mm
11	2	4016.0101	Entlüftungstülle 250mm	Vent grommet 250mm
12	1	2066.0520	Schlauchklemme d 47 mm	Hose clamp 47 mm
13	1	2022.0201	Abflußkrümmer ab 04/91	Drain elbow from 04/91
14	1	2062.0301	Winkelschlauchfitting WS 10	Angle fitting plastic WS 10
15	1	2644.250288	PP-Rohr 300mm lang	PP-pipe 300mm
16	1	2022.0202	Schlauchstutzen 40mm SC-Pumpe	Hose connection piece 40 mm SC-pump
17	3	4016.0450	Formtülle	Vent grommet
18	1	3001.0452	Entstörfilter	Electronic noise filter
19	1	8100.0115	Fettauffangwanne	Drip collector
20	1	3014.0155	Thermostat Bypass CD	Thermostat bypass CD
21	1	2071.0100	Bypassrohr	Bypass pipe
22	1	1315.0104	Kupferdichtung 16x20x1,5	Copper washer 16x20x1,5
23	1	2016.0920	Bypassdüse ab 04/91	Bypass nozzle from 4/91
24	6	1106.0160	Sechskantmutter M6	Hex nut M6
25	1	5012.0555	Dichtung Bodenablauf ab 04/91	gasket for drain from 04/91
26	4	1306.0221	Unterlegscheibe A6,4 DIN9021	Washer A6,4 DIN125
27	2	1206.0120	Zahnscheibe A6,4	Toothed lock washer A6,4
28	1	3101.1008	Kühllüfter	Cooling motor